

Description

The 3120 thermal circuit breaker/switch combination unites overcurrent protection and the function of an ON/OFF switch within a single component. The trip element is a thermal bimetal. Type 3120 is ideally suited for overload protection of motors, pumps, transformers and cables. After tripping, it can reliably, easily and quickly be reset. The positively trip-free mechanism ensures reliable disconnection of the circuit even with the actuator blocked.

Versions upon request:

- ON/OFF switch without overcurrent protection according to the relevant standard for switches for appliances IEC/EN 61058
- thermal-magnetic version for an additional short circuit protection

Typical applications

Medical and laboratory equipment, apparatus and machine construction, professional tools, household and garden appliances, offices machines, audio equipment, machine tools

Features

- Single or double pole thermal circuit breaker/switch combination
- Voltage ratings: AC 240 V, DC 50 V
- Current rating range: 0.1 ... 20 A (up to 30 A upon request)
- Optional: push-in terminals for easy and quick wiring with a long-term stability
- Functional extension options with add-on modules for low voltage release, auxiliary contact function or remote trip

Approval logos



Compliances



Your benefits

- Maximum equipment availability is ensured by overload protection perfectly matched with the loads (prevention of nuisance tripping) and quick resettability
- Reduced mounting and wiring time
- Spacesaving design
- Reduced disposition and storage costs
- Increased overall reliability

Further information

The current data sheet is available on our website: www.e-t-a.de/d016

Technical data

For detailed technical information please see www.e-t-a.de/ti_e

Voltage ratings AC 240 V, DC 50 V
(AC 415 V upon request)

Current rating range 0.1 ... 20 A
(up to 30A upon request for single pole units)

Typical life 1-pole

AC 240 V: 0.1...20 A 30,000 operations at $1 \times I_N$, inductive
DC 50 V: 0.1...4 A 30,000 operations at $1 \times I_N$, inductive
4.5...16 A 30,000 operations at $1 \times I_N$, resistive
DC 28 V: 0.1...20 A 30,000 operations at $1 \times I_N$, inductive

Typical life 2-pole

AC 240 V: 0.1...16 A 50,000 operations at $1 \times I_N$, inductive
17...20 A 30,000 operations at $1 \times I_N$, inductive
DC 50 V: 0.1...16 A 50,000 operations at $1 \times I_N$, inductive
17...20 A 50,000 operations at $1 \times I_N$, inductive

Ambient temperature -30 ... +60°C (-22 ... +140°F)

Insulation coordination (IEC 60664) 2.5 kV /2 reinforced insulation at operating area

Dielectric strength

operating area test voltage AC 3,000 V
pole to pole (2-pole) test voltage AC 1,500 V

Insulation resistance > 100 MΩ (DC 500 V)

Interrupting capacity I_{cn} (IEC/EN 60934)

	I_N	U_N	I_{cn}
1-pole, 2-pole	0.1 ... 2 A	AC 240 V / DC 50 V	$10 \times I_N$
1-pole	2.5 ... 10 A	DC 50 V	50 A
1-pole	2.5 ... 20 A	AC 240 V / DC 28 V	200 A
2-pole	2.5 ... 20 A	DC 50 V	250 A
2-pole	2.5 ... 20 A	AC 240 V / DC 28 V	300 A

Interrupting capacity I_{nc} (UL 1077)

	I_N	U_N	I_{nc}
1-pole, 2- pole	0.1 ... 20 A	AC 250 V	5,000 A, C, 1
1-pole, 2- pole	0.1 ... 20 A	DC 50 V	1,000 A, C, 1

Degree of protection (IEC 60529) operating area IP65
mounting area IP65
terminal area IP00

Vibration 8 g (57-500 Hz), ± 0.61 mm (10-57 Hz)
test to IEC 60068-2-6, test Fc
10 frequency cycles/axis

Shock 30 g (11 ms)
test to IEC 60068-2-27, test Ea

Corrosion 96 hours at 5 % salt mist,
test to IEC 60068-2-11, test Ka

Humidity 240 hrs in 95 % RH
test to IEC 60068-2-78,
test Cab

Mass approx. 30 g (1-pole)
approx. 34 g (2-pole)
approx. 45 g (2-pole with PT terminals)

Current ratings and internal resistance values

Current rating (A)	Internal resistance per pole (Ω)	Current rating (A)	Internal resistance per pole (Ω)
0.1	94	4	0.0435
0.2	24	4.5	0.0435
0.3	12	5	0.0325
0.4	5.30	6	0.0215
0.5	4.20	7	0.0165
0.6	2.90	8	0.0165
0.8	1.50	10	< 0.02
1	0.9	12	< 0.02
1.2	0.80	14	< 0.02
1.5	0.45	15	< 0.02
2	0.27	16	< 0.02
2.5	0.0785	18	< 0.02
3	0.0595	20	< 0.02
3.5	0.0565		

Order numbering code

Type No.

3120 thermal rocker-actuated circuit breaker

Mounting method

N3 snap-in, mounting cut-out 50.5 x 21.5 mm

N5 snap-in, mounting cut-out 44.5 x 22 mm

Number of poles

1 1-pole switching, 1-pole protected

2 2-pole switching, 2-pole protected

5 2-pole switching, 1-pole protected

Style

4 with water splash protection (IP65)

Terminal design

PT push-in terminals

P7 blade terminals

H7 as P7, terminals 11 and 21 with flat head screws M3.5 - standard for units with undervoltage release module

N7 as P7, with additional shunt terminals 12(i) and 22(i)

G7 as N7, terminals 11 and 21 with additional flat head screws M3.5

Trip curve

T1 thermal trip

Actuator

W rocker

Rocker colour and illumination

01 . black without illumination

02 . white without illumination

04 . red without illumination

12 . Y white with illumination

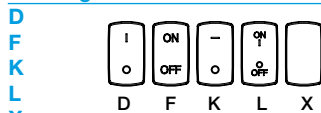
14 . R red with illumination

15 . Y orange with illumination

16 . T blue with illumination

19 . G green with illumination

Marking of rocker actuator



Illumination voltage range

(= operating voltage)

1 DC 12 V

2 DC 24 V

3 AC 115 V

4 AC 230 V

5 DC 48 V

Rated current

0.1 ... 20 A

3120-N5 2 4 - PT T1-W 19 D G 4 - 16 A ordering example

Please observe our minimum ordering quantities.

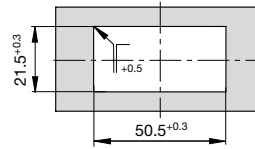
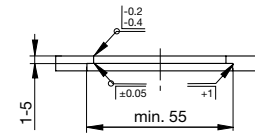
Custom designed versions

Looking for a version you cannot find in our ordering number code? Please get in touch. We will be pleased to find a solution for you.

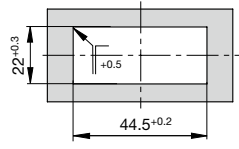
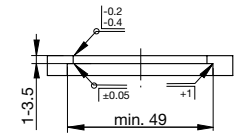
Mounting method

Mounting style

Cut-out for mounting style -N3.4

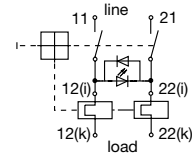


Cut-out for mounting style -N5.4

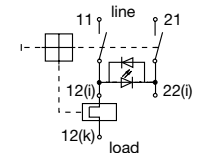


Schematic diagrams

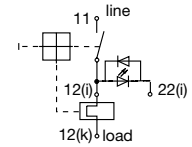
2-pole, thermally protected








2-pole, 1-pole thermally protected



1-pole, thermally protected



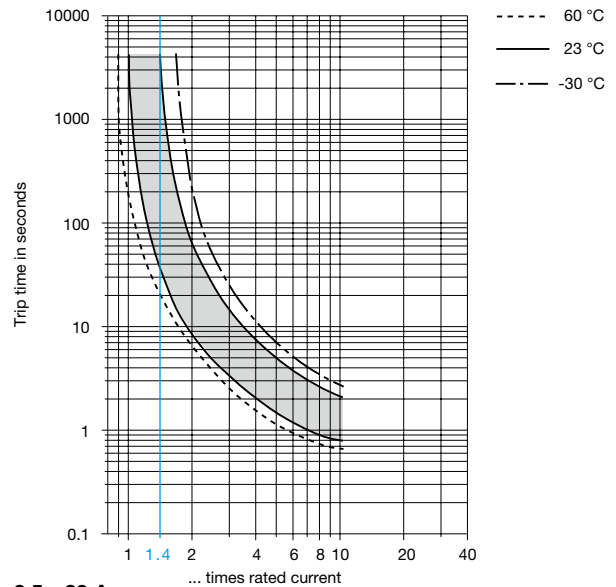
Approvals

Approval authority	Standard	Voltage ratings	Current rating range	Approval logos
VDE	IEC/EN 60934	AC 240 V DC 50 V DC 50 V DC 28 V	0.1 A ... 20 A 0.1 ... 20A (2-pole) 0.1 ... 16 A (1-pole) 0.1 A ... 20 A	
UL	UL 1077	AC 250 V AC 250 V DC 50 V AC 250 V	0.1 A ... 16 A (TC1, OL1) 17 A ... 20 A (TC1, OL0) 0.1 A ... 20 A (TC1, OL0) 30 A* (TC1, OL0)	
CSA	C22.2 No 235	AC 250 V AC 250 V DC 50 V AC 250 V	0.1 A ... 16 A (TC1, OL1) 17 A ... 20 A (TC1, OL0) 0.1 A ... 20 A (TC1, OL0) 30 A* (TC1, OL0)	
CQC	GB 17701	AC 240 V DC 50 V	0.1 A...20 A 0.1 A...20 A	
KTL	KC6094	AC 240 V	0.1...20 A (2-pole)	

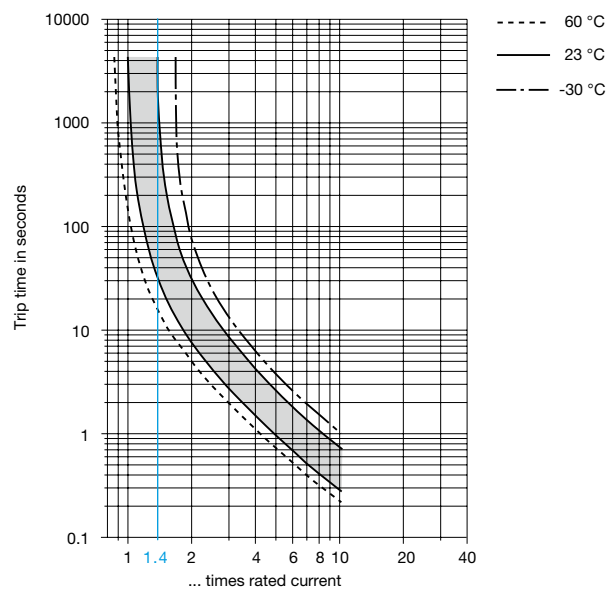
* 2 poles in parallel

Time/current characteristics

0.1...2 A



2.5...20 A

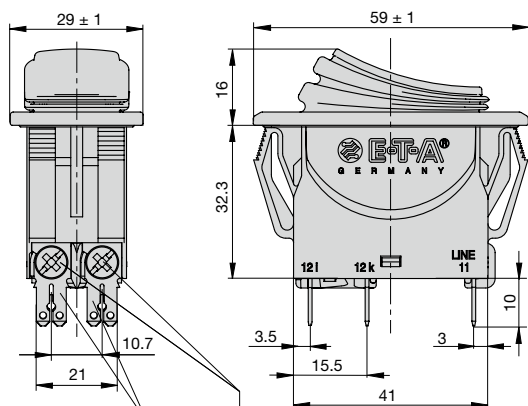


The time/current characteristic depends on the ambient temperature. In order to eliminate nuisance tripping, please multiply the current rating by a derating factor. For further details please see: www.e-t-a.de/ti_e

ambient temperature [°C]	-30	-20	-10	0	23	40	50	60
temperature factor	0.8	0.84	0.88	0.92	1	1.08	1.14	1.23

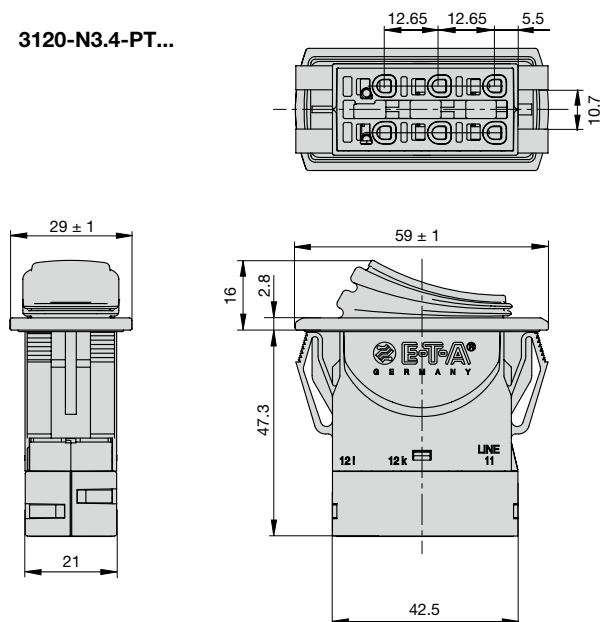
Dimensions

3120-N3.4-G7...

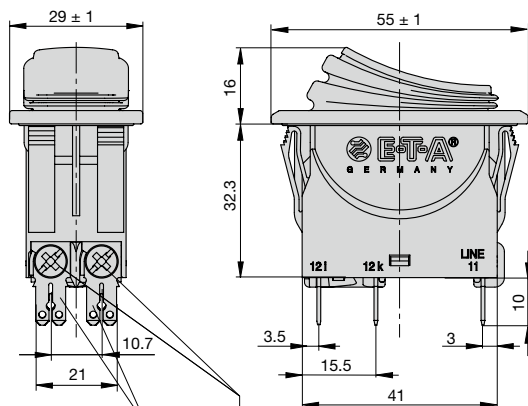


blade terminal
6.3 x 0.8
flat head screw M3.5x6
tightening torque max. 0.8 Nm

3120-N3.4-PT...

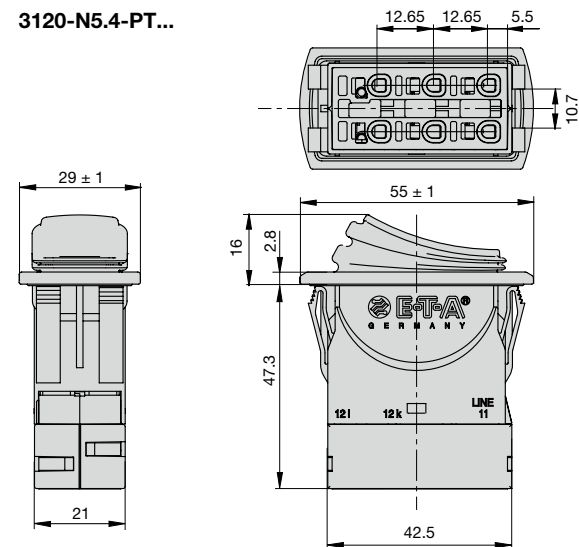


3120-N5.4-G7...



blade terminal
6.3 x 0.8
flat head screw M3.5x6
tightening torque max. 0.8 Nm

3120-N5.4-PT...

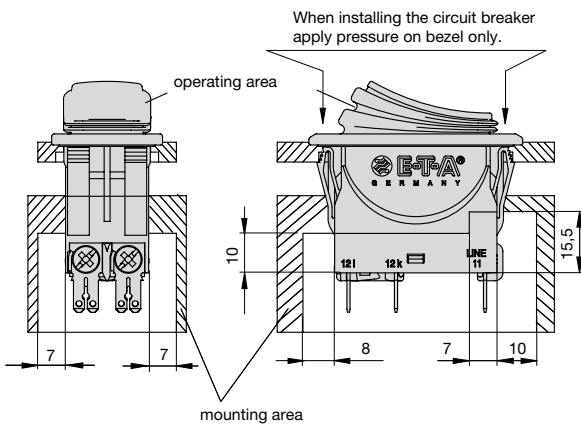


Cable cross sections PT terminals

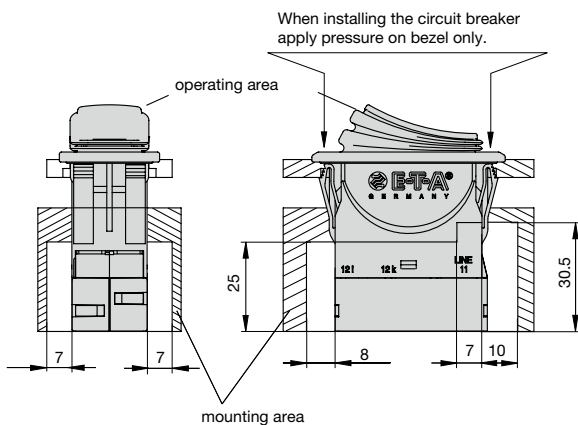
Cable	cross section with direct push-in wiring
Rigid	1...4 mm ² (stripping length: 10 mm)
Flexible with wire end ferrule (with or without plastic sleeve)	0.5...2.5 mm ²
Cable	cross section when opening the push-in terminals
Rigid	0.5...4 mm ² (stripping length: 10 mm)
Flexible without wire end ferrule	0.5...2.5 mm ²

Installation drawing

3120 with blade terminals



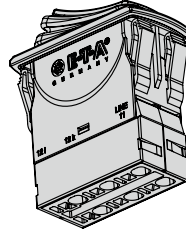
3120 with push-in terminals



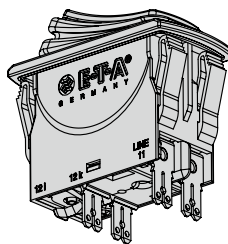
Terminal types

2-pole switching and 2-pole protected

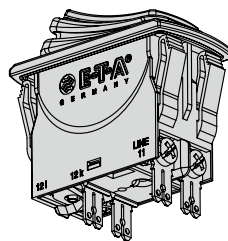
3120-N524-PT



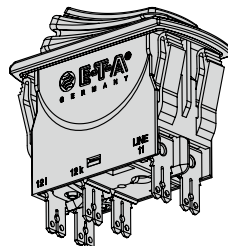
3120-N524-P7



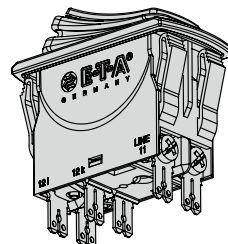
3120-N524-H7



3120-N524-N7

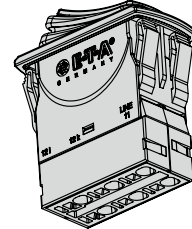


3120-N524-G7

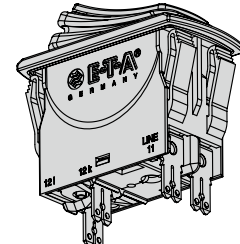


2-pole switching and 1-pole protected

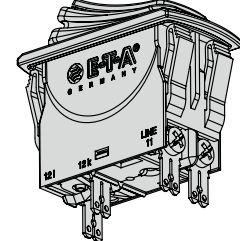
3120-N554-PT



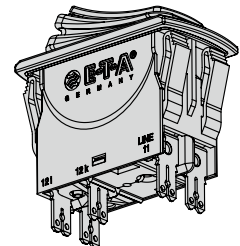
3120-N554-P7



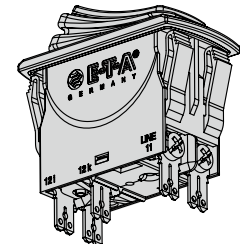
3120-N554-H7



3120-N554-N7

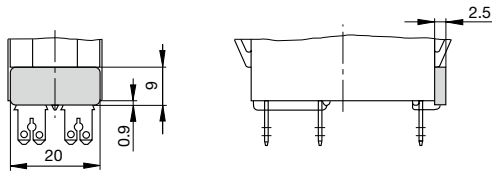


3120-N554-G7

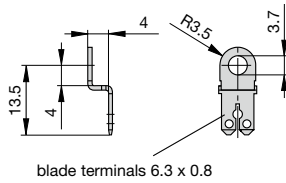


Accessories

Insulated cover
Y 303 068 01

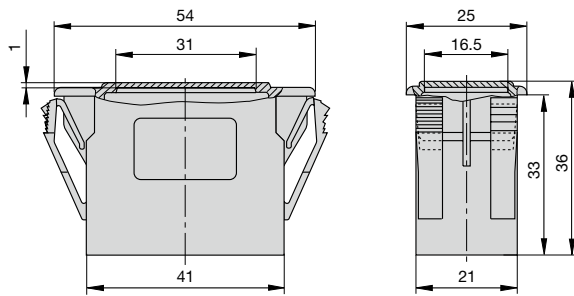


Terminal adapter
Y 303 862 01

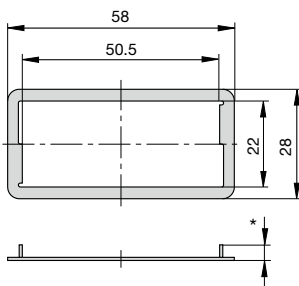


blade terminals 6.3 x 0.8

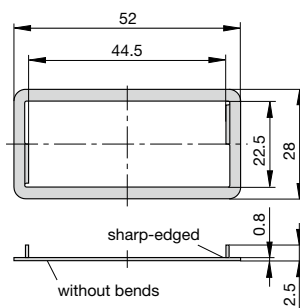
Blanking piece in -N3 frame
Y 303 885 31



Spacer for 3120-N3...
Y 303 675 01/02

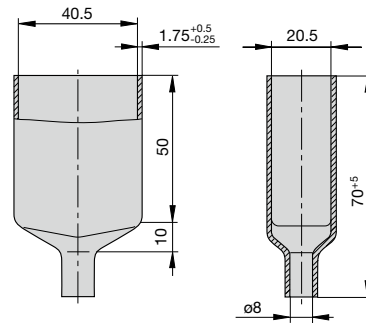


Spacer for 3120-N5...
Y 303 676 01



* Y 303 675 01 suitable for panel thickness < 2 mm
* Y 303 675 02 suitable for panel thickness < 4 mm

Rear terminal shroud, black (IP64)
Y 304 275 01



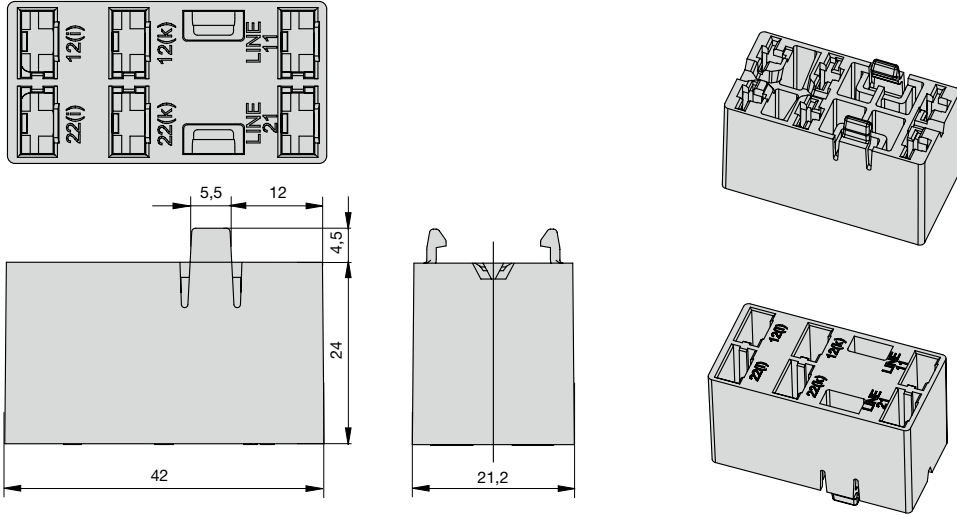
All information and data given on our products are accurate and reliable to the best of our knowledge, but E-T-A does not accept any responsibility for the use in applications which are not in accordance with the present specification. E-T-A reserves the right to change specifications at any time in the interest of improved design, performance and cost effectiveness. Dimensions are subject to change without notice. Please enquire for the latest dimensional drawing with tolerances if required. All dimensions, data, pictures and descriptions are for information only and are not binding. Amendments, errors and omissions excepted. Ordering codes of the products may differ from their marking.

Accessories

Plug-in connector

Y 31214001

Connecting cables can be pre-wired. Two retaining clips ensure a tight fit.



Benefits:

- Reduced installation time and costs for final assembly
- Quick replacement of devices

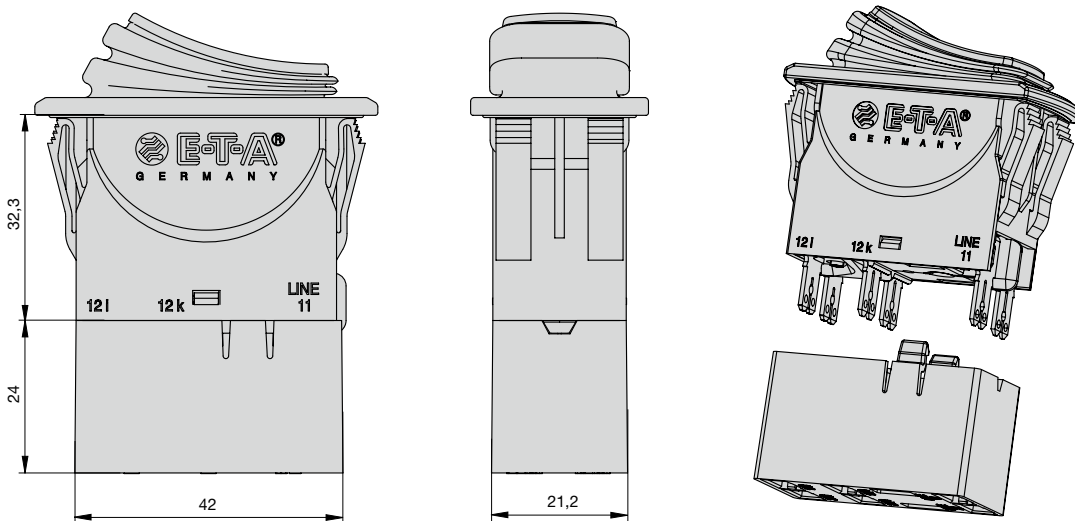
Note:

Delivery without receptacles.

Dimensions of receptacles (width 6.3 mm) are in accordance with DIN 46340 part 3, shape A.

Examples of suitable receptacles: Stocko RSB 7916 F6,3-1 / Klauke type 2730 / Vogt type 3832d.67 / TE FASTON Terminals 250 Series / Delphi Packard 58 Series

Plug-in connector mounted on circuit breaker:



Description X3120-U undervoltage release module

The undervoltage release module reliably excludes personal injury through automatic re-start after voltage dip or power failure.

In the event of voltage dip or power failure, the undervoltage release module trips the circuit breaker. The rocker actuator will go into centre position. The breaker can be reset in two steps:

- Step 1: Switch rocker into OFF position.
- Step 2: Reset circuit breaker.

Note: Basic unit 3120-...-H7 or -G7 requires screw terminals. Not possible in combination with PT terminals.

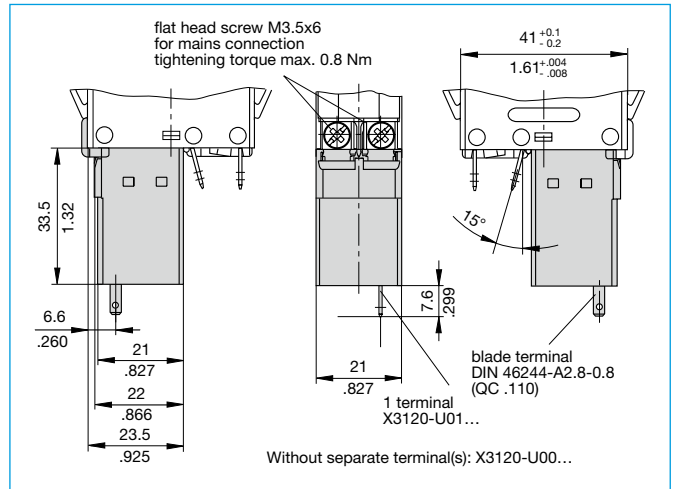
Typical applications

All machines that could cause personal injury upon automatic re-start, e.g. drilling machines, electric saws, meat cutting machines etc.

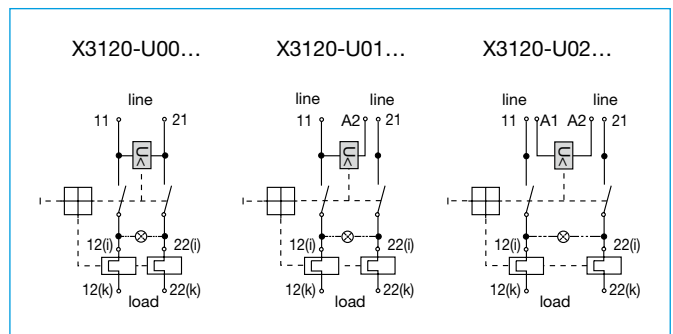
Order numbering code

Type No.	
X3120	module for type 3120
Module	
U	undervoltage release module
Design	
00	standard (without separate connections)
01	1 blade terminal 2.8x0.8
02	2 blade terminal 2.8x0.8
Voltage ratings	
00	AC 230/240 V 50/60 Hz
01	AC 120 V 50/60 Hz
02	AC 100 V 50/60 Hz
03	DC 24 V
04	AC 400 V 50/60 Hz
05	AC 42 V 50/60 Hz
Supply status	
M	module mounted to circuit breaker 3120
X3120- U 00 00 M	ordering example

Dimensions



Schematic diagrams



Technical data

Voltage ratings:	AC 42 V; 100 V; 120 V; 230/240 V; 400 V (50/60 Hz) DC 24 V
Voltage tolerances	+ 10 %/- 15 %
Typical life	20,000 cycles
Current consumption	approx. 2.5 mA
Release values	$0.2 \times U_N < U < 0.7 \times U_N$ (at a rated voltage of AC 100 V the device can trip at 70 V and must trip at 20 V)
Trip time	< 20 ms
Latch-in values	$\geq 85 \% U_N$
Ambient temperature	-30 ... +60°C (-22 ... +140°F)
Vibration	8 g (57-500 Hz), ± 0.61 mm (10-57 Hz) test to IEC 60068-2-6, test Fc 10 frequency cycles/axis
Shock	30 g (11 ms) test to IEC 60068-2-27, test Ea
Corrosion	48 hours at 5 % salt mist, test to IEC 60068-2-11, test Ka
Humidity	240 hrs in 95 % RH test to IEC 60068-2-78, test Cab
Mass	approx. 56 g (including base unit)

All information and data given on our products are accurate and reliable to the best of our knowledge, but E-T-A does not accept any responsibility for the use in applications which are not in accordance with the present specification. E-T-A reserves the right to change specifications at any time in the interest of improved design, performance and cost effectiveness. Dimensions are subject to change without notice. Please enquire for the latest dimensional drawing with tolerances if required. All dimensions, data, pictures and descriptions are for information only and are not binding. Amendments, errors and omissions excepted. Ordering codes of the products may differ from their marking.

Description X3120-S auxiliary contact module

Add-on module for circuit breaker type 3120-F. The auxiliary contact module has a change-over contact as signal contact and is operated with actuation of the CBE.

Note: Not possible in combination with PT terminals.

Typical applications

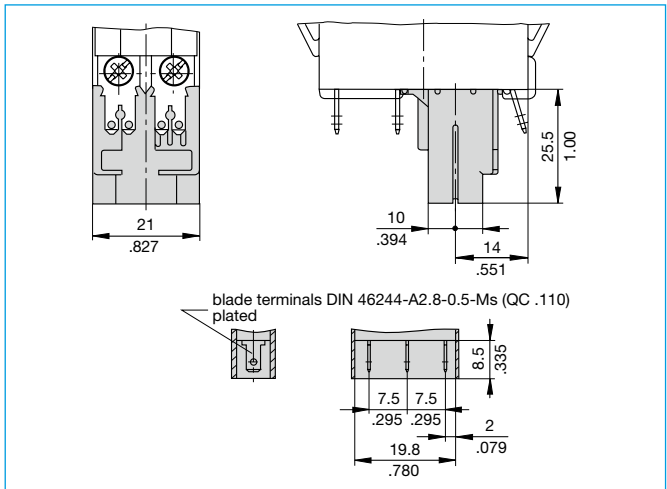
Status monitoring of CBE and/or the connected loads.

Order numbering code

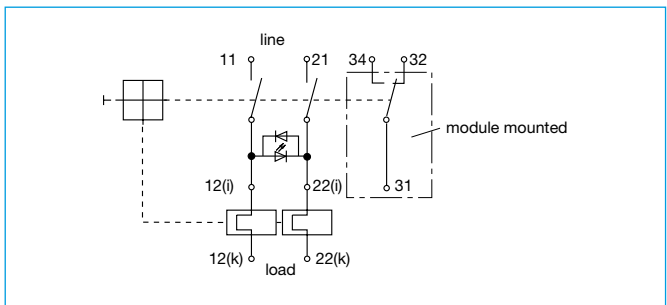
Type No.	X3120 module for type 3120																
Module	S auxiliary contact module																
Contact configuration	0 change-over contact																
Terminal design	1 blade terminals DIN 46244-A6.3-0.8																
Contact rating	<table border="1"> <tr> <td>A AC 10 V – AC 250 V</td> <td>0.1 ... 4 A</td> </tr> <tr> <td>DC 12 V</td> <td>0.1 ... 4 A</td> </tr> <tr> <td>DC 24 V</td> <td>0.1 ... 4 A</td> </tr> <tr> <td>DC 60 V</td> <td>0.1 ... 1 A</td> </tr> <tr> <td>DC 110 V</td> <td>0.1 ... 0.5 A</td> </tr> <tr> <td>DC 220 V</td> <td>0.1 ... 0.25 A</td> </tr> <tr> <td>B AC 5 V – AC 250 V</td> <td>5 ... 100 mA</td> </tr> <tr> <td>DC 5 V – DC 250 V</td> <td>5 ... 100 mA</td> </tr> </table>	A AC 10 V – AC 250 V	0.1 ... 4 A	DC 12 V	0.1 ... 4 A	DC 24 V	0.1 ... 4 A	DC 60 V	0.1 ... 1 A	DC 110 V	0.1 ... 0.5 A	DC 220 V	0.1 ... 0.25 A	B AC 5 V – AC 250 V	5 ... 100 mA	DC 5 V – DC 250 V	5 ... 100 mA
A AC 10 V – AC 250 V	0.1 ... 4 A																
DC 12 V	0.1 ... 4 A																
DC 24 V	0.1 ... 4 A																
DC 60 V	0.1 ... 1 A																
DC 110 V	0.1 ... 0.5 A																
DC 220 V	0.1 ... 0.25 A																
B AC 5 V – AC 250 V	5 ... 100 mA																
DC 5 V – DC 250 V	5 ... 100 mA																
Supply status	M module mounted to circuit breaker 3120																
X3120-S 0 1 A M	ordering example																

* without approval mark

Dimensions



Schematic diagram



Technical data

Voltage ratings	AC 250 V, DC 250 V
Rated current	0.1...4 A / 5...100 mA
Endurance	50,000 cycles
Ambient temperature	-30...+60 °C (-22 ... +140°F)
Dielectric strength	
between main and auxiliary circuit	test voltage AC 3,000 V
Insulation resistance	> 100 MOhm (DC 500 V)
Vibration	< 6 g (57-500 Hz), ± 0.46 mm (10-57 Hz) test to IEC 60068-2-6, test Fc 10 frequency cycles/axis
Shock	15 g (11 ms) test to IEC 60068-2-27, test Ea
Corrosion	96 hours at 5 % salt mist, test to IEC 60068-2-11, test Ka
Humidity	240 hrs in 95 % RH test to IEC 60068-2-78, test Cab
Mass	approx. 41 g (including base unit)

All information and data given on our products are accurate and reliable to the best of our knowledge, but E-T-A does not accept any responsibility for the use in applications which are not in accordance with the present specification. E-T-A reserves the right to change specifications at any time in the interest of improved design, performance and cost effectiveness. Dimensions are subject to change without notice. Please enquire for the latest dimensional drawing with tolerances if required. All dimensions, data, pictures and descriptions are for information only and are not binding. Amendments, errors and omissions excepted. Ordering codes of the products may differ from their marking.

Description X3120-M remote trip module

A module which adds remote trip capability to all versions of type 3120-F. A voltage applied across the coil will cause trip of the main switch/circuit breaker mechanism.

Note: Not possible in combination with PT terminals.

Typical applications

Electrical remote trip of safety systems.

Order numbering code

Type No.

X3120 module for type 3120

Module

M magnetic trip module

Design

2 magnetic remote trip coil

Terminal design

P7 blade terminals DIN 46244-A6.3-0.8

Supply status

M module mounted to circuit breaker 3120

Voltage ratings

AC 120, 230 V

DC 12, 24 V

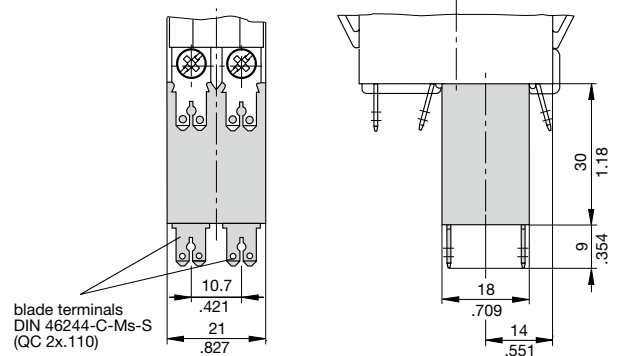
X3120-M 2 P7 M -12 V

ordering example

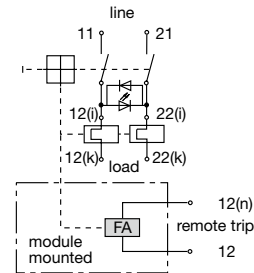
Standard voltage ratings and typical internal resistance values

Voltage ratings	Internal internal resistance (Ω)	Voltage ratings	Internal internal resistance (Ω)
DC 12 V	0.78	AC 120 V	71.0
DC 24 V	3.3	AC 230 V	312

Dimensions



Schematic diagram



Technical data

Voltage ratings	AC 120...230 V; DC 12...24 V
Power consumption	approx. 200 Watt
Pulse operation	20 ms < t _{ON} < 100 ms / t _{OFF} > 10 sec
Trip time	< 20 ms
Endurance	50,000 operations at U _N
Ambient temperature	-30...60 °C (-22 ... +140°F)
Dielectric strength	
between main and trip current circuit	test voltage AC 3,000 V
Insulation resistance	> 100 MOhm (DC 500 V)
Vibration	8 g (57-500 Hz), ± 0.61 mm (10-57 Hz) test to IEC 60068-2-6, test Fc 10 frequency cycles/axis
Shock	30 g (11 ms) test to IEC 60068-2-27, test Ea
Corrosion	96 hours at 5 % salt mist, test to IEC 60068-2-11, test Ka
Humidity	240 hrs in 95 % RH test to IEC 60068-2-78, test Cab
Mass	approx. 56 g (including base unit)

All information and data given on our products are accurate and reliable to the best of our knowledge, but E-T-A does not accept any responsibility for the use in applications which are not in accordance with the present specification. E-T-A reserves the right to change specifications at any time in the interest of improved design, performance and cost effectiveness. Dimensions are subject to change without notice. Please enquire for the latest dimensional drawing with tolerances if required. All dimensions, data, pictures and descriptions are for information only and are not binding. Amendments, errors and omissions excepted. Ordering codes of the products may differ from their marking.