

Distribution rail X8345-D01

Description

Distribution rail comprising series connected circuit breaker mounting modules. Each module accommodates one magnetic or magnetic-hydraulic circuit breaker type 8345 and the associated line and load terminals on the rear side of the rail. Supply feed is either on the right or left side with copper busbars. Trip indication of the circuit breakers (group signalling) is possible via two signal busbars. Live parts in the plug-in area of the load terminals are protected against brush contact (IP20). Replacement of circuit breakers (switched off) is possible with power on.

Typical applications

Telecommunications, measuring and control systems

Ordering information

Type No.	X8345	Distribution rail for circuit breaker type 8345
Version	D	rail
Identification number	01	module for 1 circuit breaker
Terminal (supply feed)	L	left side
	R	right side
Power distribution modules	02	2 modules
	04	4 modules
	05	5 modules
Signalling	0	without
	1	group signalling parallel connection
Terminal design of main circuitry	01	2xM12 hexagon head screws for single-hole cable lug
	03	2xM12 bent, hexagon head screws for double-hole cable lug (300 A)
Terminal design of circuit breaker module	01	hexagon head screw M6 for single-hole cable lug
	07	hexagon head screw M6 for single-hole cable lug, with barrier
Accessories	00	without
	02	mounting bar (length = 153.8 mm)
Marking	A	standard without marking
X8345 - D 01 L 05 - 1 - 01 01 -01 A ordering example		

Approvals

Authority	Voltage ratings	Current ratings
UL 60950	AC 277 V; DC 110 V	600 A



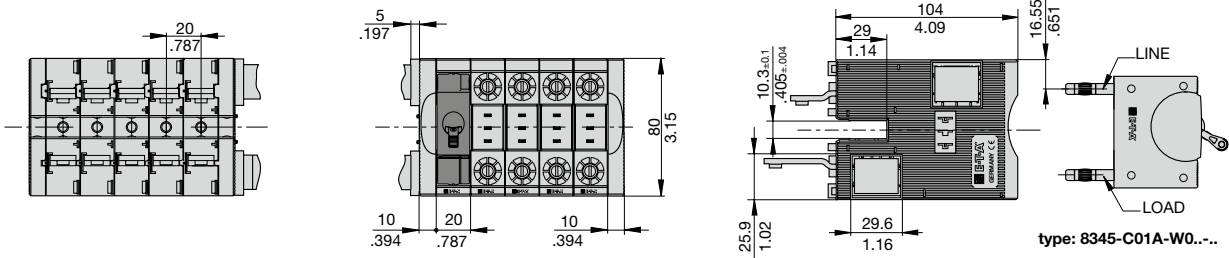
X8345-D01

Technical data

Plug-in type circuit breakers	8345-.01.-W0..-D.... and auxiliary contact module X8345-S01KW102-M	
Voltage rating	DC 110 V other ratings upon request	
Max. load	125 A per position (total 160 A for the two neighbouring positions when a breaker rated > 80 A is used), 600 A per complete module	
Ambient temperature	-30...+60 °C	
Signalling (N/C contact)	DC 80 V 0.5 A per position	
Insulation co-ordination (IEC 60664)	Rated impulse withstand voltage 2.5 kV	Pollution degree 2
Flame retardance (IEC 60695, part 2-2)	self-extinguishing	
Terminal design		
supply feed	copper bar 20x25 mm with M10 thread current supply from the rear side (left or right) (tightening torque max. 15 Nm)	
load	screw terminals M6 (tightening torque max. 7 Nm) on rear side	
signalling	2 blade terminals DIN 46244-A6.3x0.8mm	
Mass		
module	approx. 320 g	

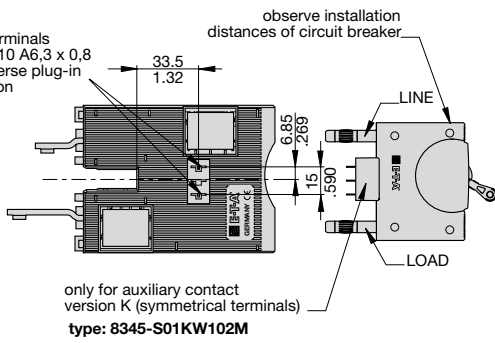
Distribution rail X8345-D01

Dimensions

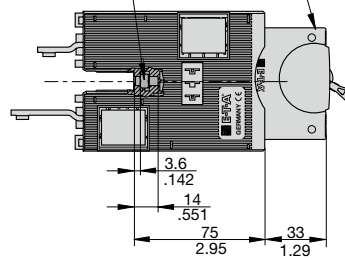


Signalling 1

blade terminals
IEC 61210 A6.3 x 0,8
with reverse plug-in
protection

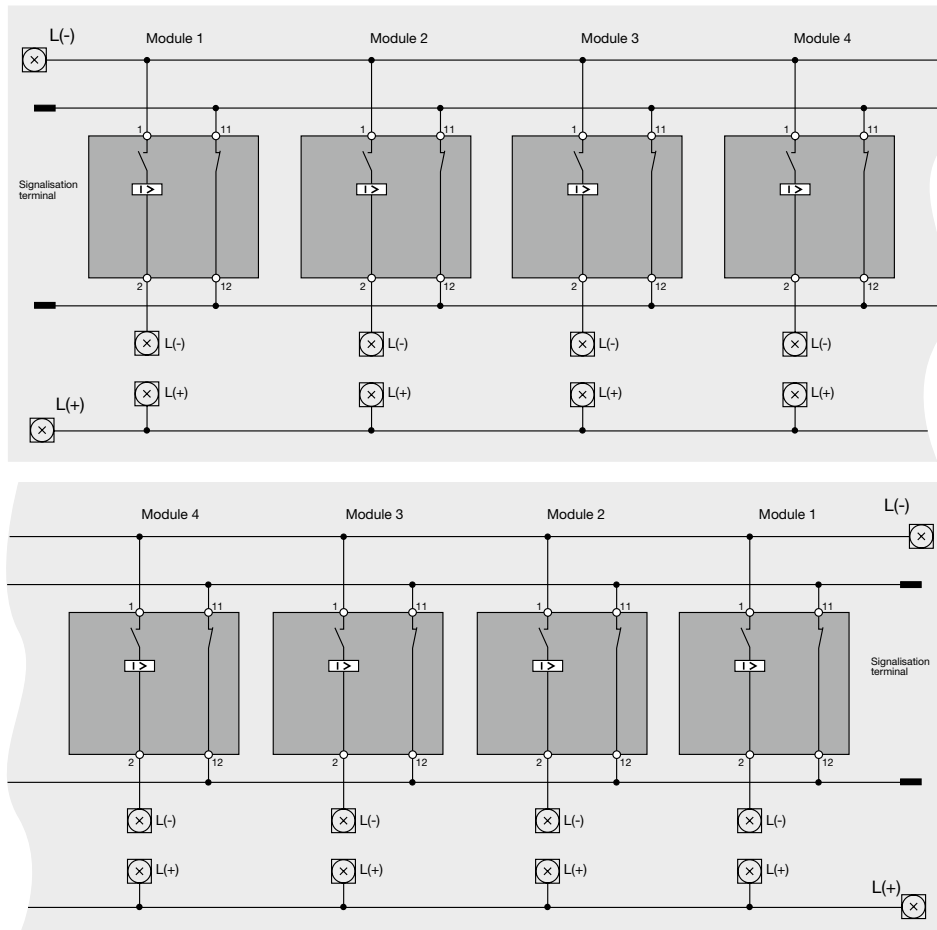


observe installation distances of circuit breaker
hexnut
DIN EN ISO 4032 - M5 - 8 - AOP
tightening torque for
mounting screw M5 max. 3.0 Nm



This is a metric design and millimeter dimensions take precedence (mm / inch)

Internal connection diagrams

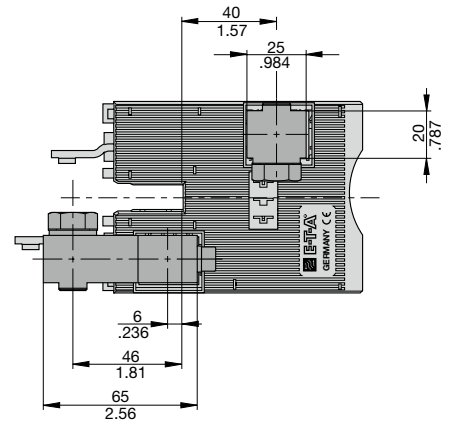
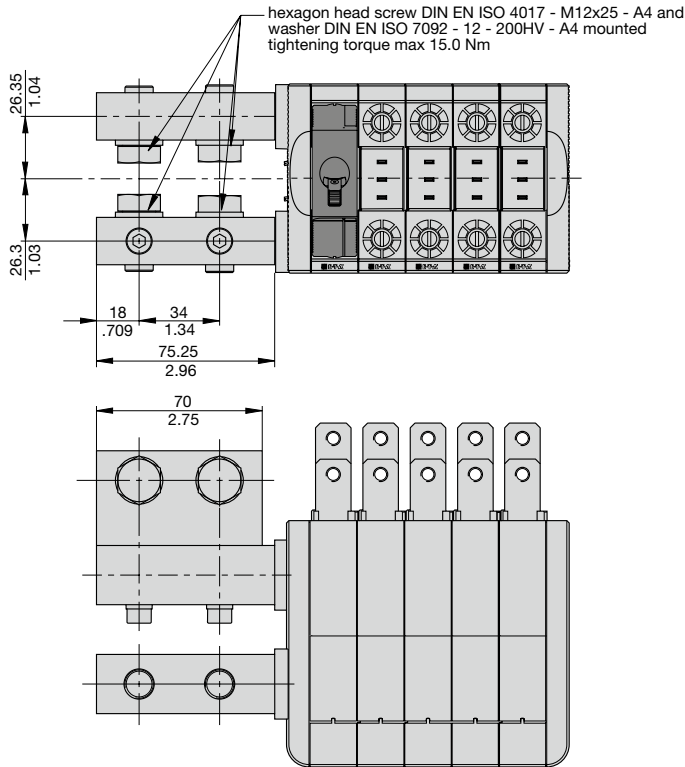


6

Distribution rail X8345-D01

Terminal design

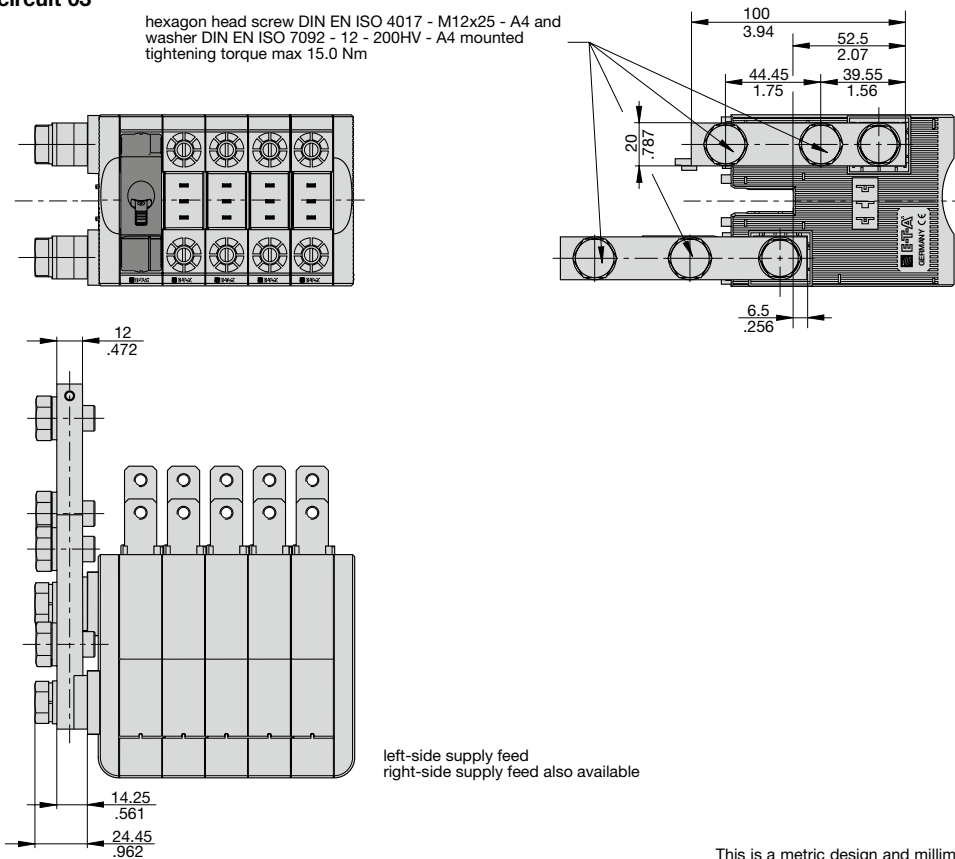
Main circuit 01



left-side supply feed
right-side supply feed also available

Main circuit 03

hexagon head screw DIN EN ISO 4017 - M12x25 - A4 and washer DIN EN ISO 7092 - 12 - 200HV - A4 mounted tightening torque max 15.0 Nm



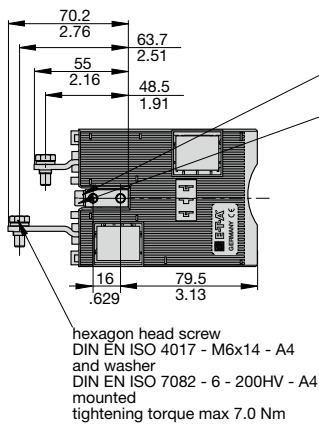
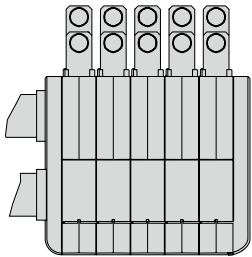
left-side supply feed
right-side supply feed also available

This is a metric design and millimeter dimensions take precedence (mm/inch)

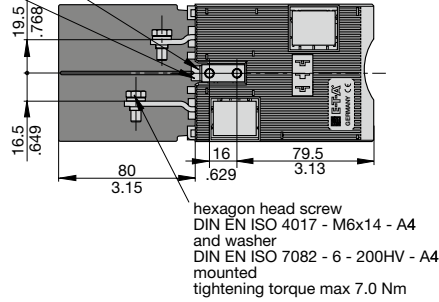
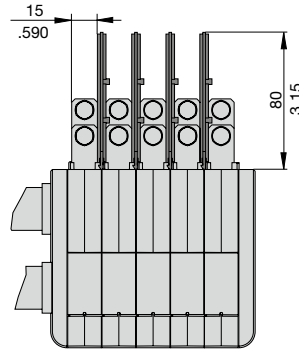
Distribution rail X8345-D01

Terminal design

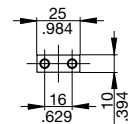
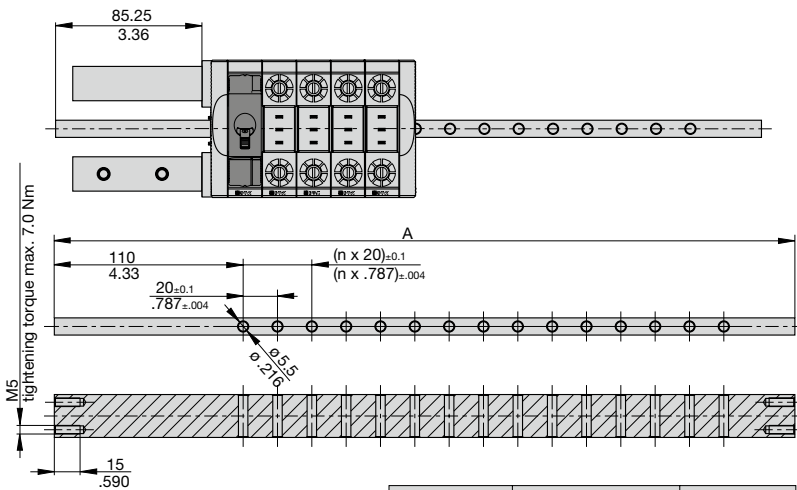
Circuit breaker module 01
without barrier



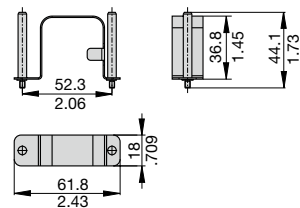
Circuit breaker module 07
with barrier



Accessories



Withdrawal tool
X 222 547 02



left-side supply feed
mounting bar suitable for
left- and right-side supply feed

part number	n = number of holes	A
Y 307 873 01	15	431.4 \pm 0.2 16.98 \pm .007
Y 307 873 02	2	153.8 \pm 0.2 6.05 \pm .007

This is a metric design and millimeter dimensions take precedence ($\frac{\text{mm}}{\text{inch}}$)

All dimensions without tolerances are for reference only. In the interest of improved design, performance and cost effectiveness the right to make changes in these specifications without notice is reserved. Product markings may not be exactly as the ordering codes. Errors and omissions excepted.