

## Description

The Economy **Power-D-Box®** is a compact 2U power distribution system made of aluminium.

## Ordering information

**PDB** standard **Power-D-Box®** 19" with interchangeable ETSI flange – 19"

**protected pole**

**N** negative pole protected

**Module**

**S2** X8340-S02L/R...-103\*

**S4** X8340-S0416-2\*

**SZ** X8340-SZ4R/L...-101-00\*

**xx** number of ways (total)

**PDB - N - S2 08** ordering example

\*technical data on [www.e-t-a.de](http://www.e-t-a.de)

## Preferred types

### Economy Power-D-Box®:

PDB - N - S2 12 2 x 6 ways

PDB - N - S2 16 2 x 8 ways

PDB - N - SZ 08 2 x 4 ways

PDB - N - SZ 16 2 x 8 ways

PDB - N - S4 08 2 x 4 ways

## Features

- Plug-in type circuit breakers, 8340-F.10-P1...-H... , extendable in service, with or without auxiliary contact, load per way for SZ and/or S2 25 A (30 A upon request) for S4 20 A
- Extremely compact design (installation depth 150 mm)
- Standard redundant design (2 x 2, 2 x 4, 2 x 6, 2 x 8)
- Group signalling for redundant line entry A and/or B is standard
- To be used with industrially manufactured power distribution modules (X8340-S02/S04/SZ4) – protected against brush contact
- Labelling strips for individual marking
- Blank covers (bulk shipped)
- Integral cable clamp rail
- Load output connector for SZ and/or S2 protected against reverse polarity
- Spring loaded terminals for S4
- Other versions are available upon request (e.g. with series fuse, separate circuits, single and redundant circuits, customer-specific marking etc)



**Economy Power-D-Box®**

## Technical data

19" <b>Power-D-Box®</b>	length: 84 modules (426,72 mm) height: 2 U (88,90 mm) material: aluminium
Rated voltage	DC 48 V; DC 65 V; DC 80 V
Fire resistance (IEC 60695, Part 2-2)	self-extinguishing

### Details of power distribution system:

#### X8340-S02

Load	25 A per position (30 A upon request) 132 A for complete unit
Terminal design	Supply feed (terminal block) screw-terminal 6...50 mm <sup>2</sup> , multistrand, supply 6...35 mm <sup>2</sup> with wire end ferrule additional blade terminals DIN 46244-A6,3x0,8
Load (module)	blade terminals 6.3x0.8 load output terminal protected against reverse polarity front
Signalling (module)	blade terminals DIN 46244-A4,8x0,8mm

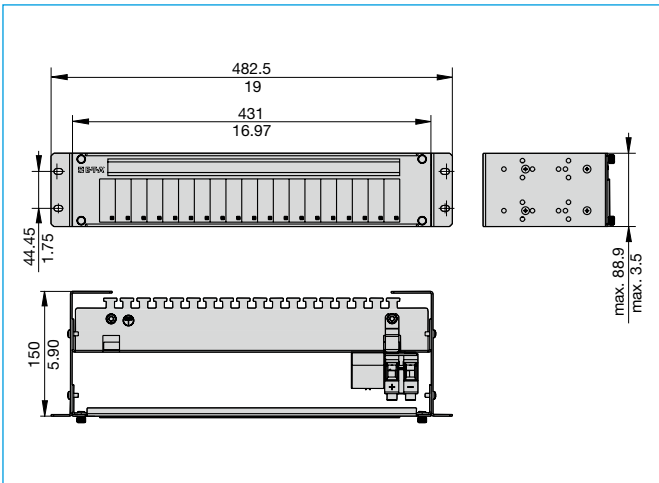
#### X8340-S04

Load	20 A per position 80 A per module
Terminal design	Supply feed screw terminal supply 6...25 mm <sup>2</sup> multistrand, 6...16 mm <sup>2</sup> with wire end ferrule
Load and signalling	screw-less terminal 0.5...2.5 mm <sup>2</sup> , multistrand, with wire end ferrule, front

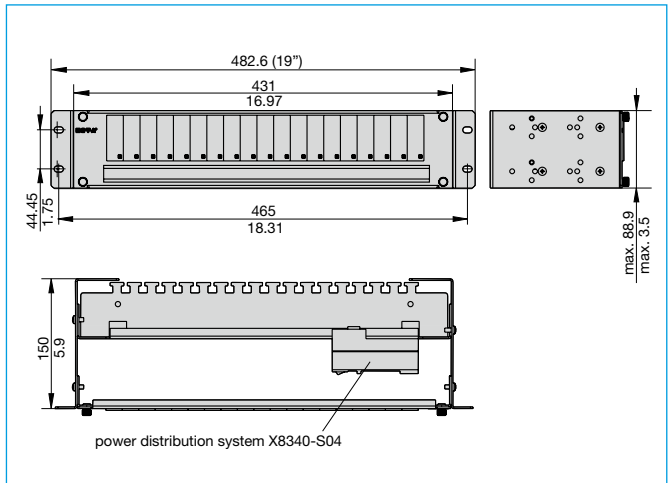
#### X8340-SZ4

Load	25 A per position (30 A upon request) 150 A for the distribution system
Terminal design	Supply feed copper busbar 10 x 3 mm with hole ø 5.3 mm current supply from the rear side
Loads	blade terminals 6.3 x 0.8 mm, load output terminal protected against reverse polarity on front and rear side
Signalling	signalisation 6.3 x 0.8 mm plug-in direction as circuit breakers, opposite the main terminal side

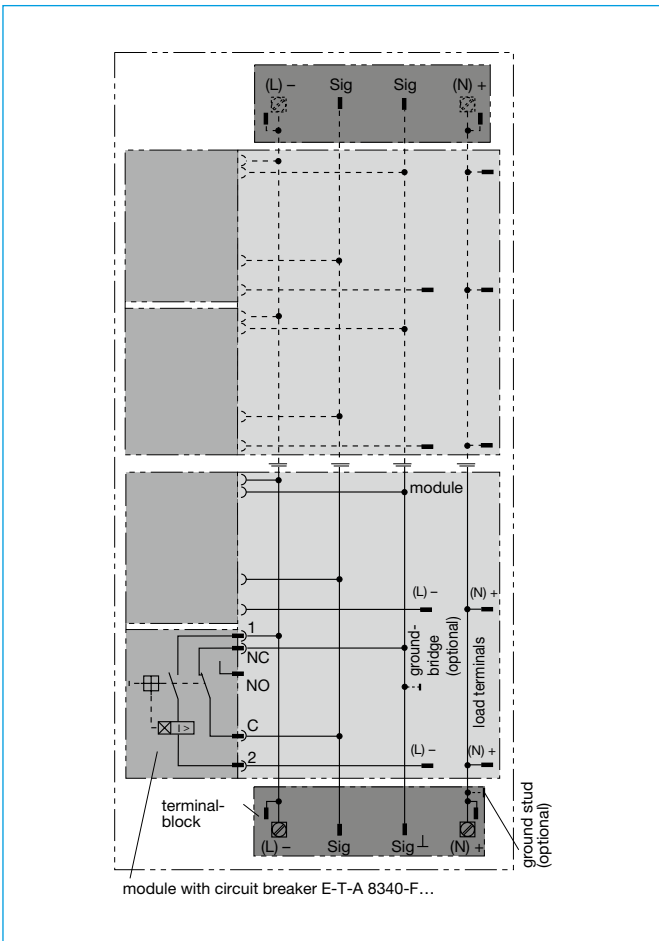
**Dimensions PDB-N-S2**



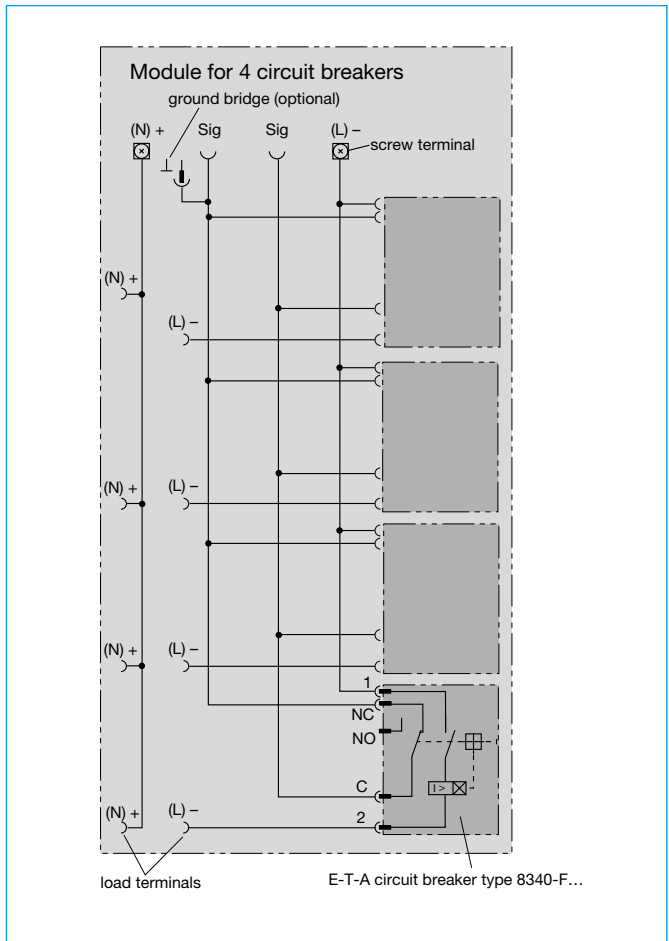
**Dimensions PDB-N-S4**



**Schematic diagram PDB-N-S2**

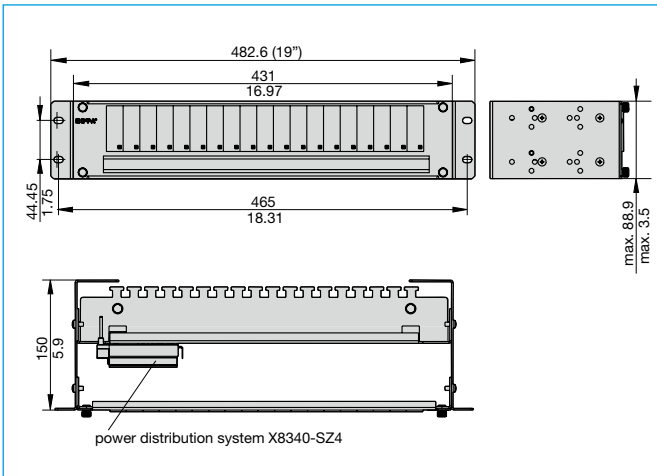


**Schematic diagram PDB-N-S4**

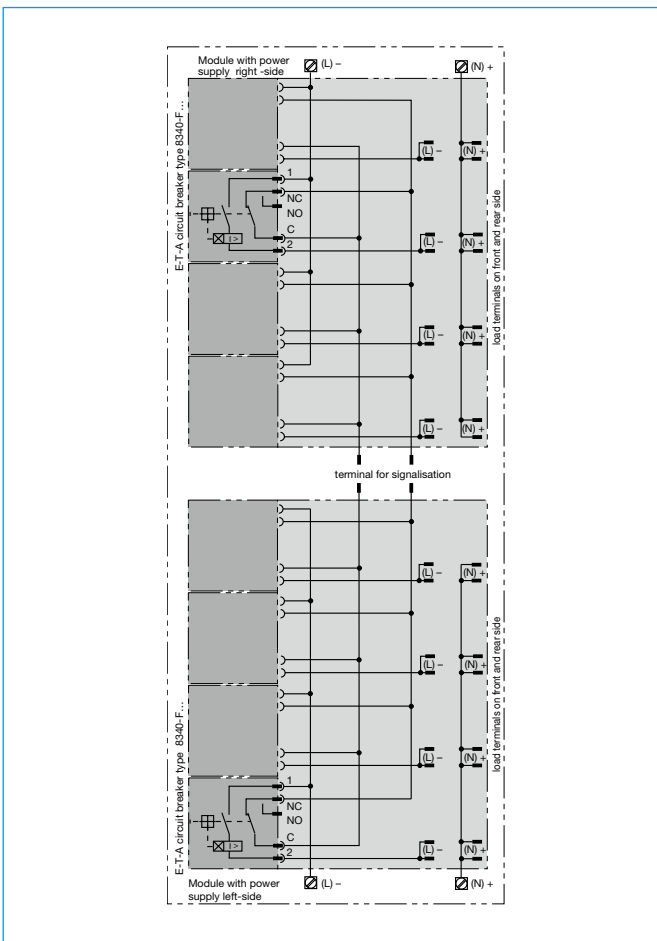


6

**Dimensions PDB-N-SZ**

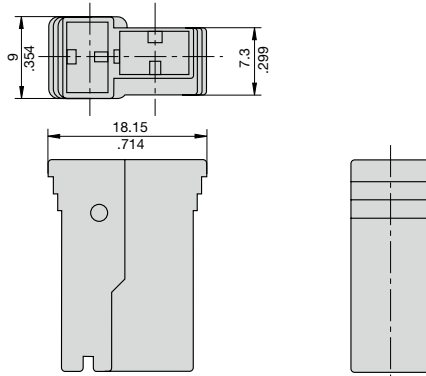


**Schematic diagram PDB-N-SZ**

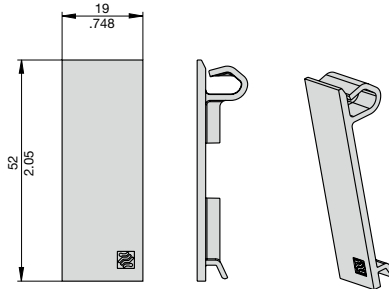


**Accessories**

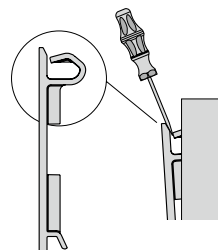
**Load output terminal protected against reverse polarity**  
 (set: 4 moulded sleeves, 8 blade terminals 6.3 x 0.8 mm)  
**X 222 847 01** for cable cross section 0.7...2.0 mm<sup>2</sup>  
**X 222 625 01** for cable cross section 2.5...4.0 mm<sup>2</sup>  
**X 222 848 01** for cable cross section 4.0...6.0 mm<sup>2</sup>



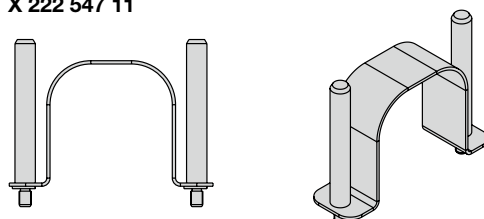
**Blanking piece for Power-D-Box**  
 (circuit breaker types 8340, 8345)  
**Y 308 563 11**



**For removing the blanking piece:**  
 push in the screwdriver as shown below



**Withdrawal tool**  
 (circuit breaker types 8340-F)  
**X 222 547 11**



All dimensions without tolerances are for reference only. In the interest of improved design, performance and cost effectiveness the right to make changes in these specifications without notice is reserved. Product markings may not be exactly as the ordering codes. Errors and omissions excepted.

