

Description

- Isolated A and B power regions for redundancy
 - (2) PWR and (2) RTN inputs each side
 - (6) PWR and (6) RTN outputs each side
- Inputs accept common 2-hole compression lugs up to 2/0 cable
- Outputs accept common 2-hole compression lugs up to 2 AWG cable
- Rear and Side cable access
- 1 RU, Standard 19" rack mount chassis width, 8.25" chassis depth
- Mounting flange options available for EIA 19", 23" and ETSI standard mounting
- Pluggable circuit breaker for field install or upgrade
 - E-T-A 8345 series, Hydraulic-Magnetic, UL489 circuit breakers (1 A to 125 A configurations avail.)
- Options:
 - Slide rail kit available for ETSI and 23" version
 - Jumper bar for reduced input configuration

Technical Data

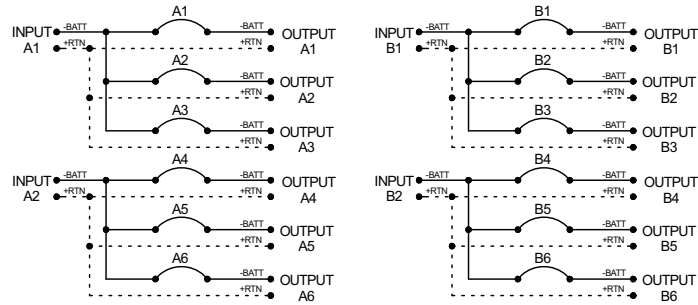
Dimensions	17.50" x 3.50" x 11.10"
Rack Mounting	19", ETSI, 23" & Custom
Operating Voltage	- 72 V DC to 72 V DC
Operating Temperature	- 5 °C to 42 °C
Current Carrying Capacity	500 A
Breaker Capacity	12 channels, 90 A max. per channel
Circuit Protection/Control	Hydraulic Magnetic - Single Pole
Circuit Breaker	8345-F01Z-R0M1-DB1B2B-(1-90 A)
Switch	8345-F01Z-R0M1-DB1B1B-90 A
Input Terminals	2-hole lug, M6 studs, 5/8" offset
Output Terminals	2-hole lug, M6 studs, 5/8" offset
Chassis Ground	2-hole lug, M6 studs, 5/8" offset
Hardware	M6 Kep Nuts (included)
RoHs Status	Compliant
Approvals	UL Listed, CSA, CB Scheme, Designed to meet NEBs Level 3

Standard Part Numbers

Part Number	Supply Feeds	Breakers per feed	Rack mount size	Operating Voltage	Current Carrying Capacity
X8345R-S00-0584-4-33X33-19-NA-058208	4	3	19"	- 72 V DC to 72 V DC	500 A
X8345R-S00-0584-4-33X33-ETSI-NA-058208			ETSI		
X8345R-S00-0584-4-33X33-23-NA-058208			23"		
X8345R-S00-0584-4-33X33-19-E-058208			19"		
X8345R-S00-0584-4-33X33-ETSI-E-058208			ETSI		
X8345R-S00-0584-4-33X33-23-E-058208			23"		

Schematic diagram

X8345R-S00-0584-4-33X33-xx-NA-058208



X8345R-S00-0584-4-33X33-xx-E-058208

