

Description

The model ESX10-TB-101-DC24V-16A extends our product group of electronic overcurrent protection devices for DC 24 V applications. At a width of only 12.5 mm it provides selective protection for all DC 24 V load circuits. This is achieved by a combination of active electronic current limitation in the event of a short circuit and overload disconnection typically from 1.15 times rated current. The ESX10-T is track-mountable and provides ease of installation for groups of devices with several circuits.

DC 24 V switch-mode power supplies are widely used in automation today. In the event of an overload, however, they turn down the output voltage which is intended to power all connected loads. So if there is a failure in a single load of the system, the supply voltage will break down also in all other load circuits. Not only does this frequently cause undefined fault conditions, but it can even lead to machine stoppages or system downtimes.

This is exactly where the ESX10-T comes in by responding to the overload conditions faster than the switch-mode power supply. The max. possible overcurrent is limited to typically 1.15 times 16 A (see table 1). This allows switching on capacitive loads of up to 20,000 µF, but a disconnection will only be effected in the event of an overload or short circuit. Visual status indication is by means of a multicoloured LED and by a single alarm. The manual ON/OFF switch on the device itself allows start-up of certain individual load circuits. As soon as the ESX10-T detects overload or short circuit in its load circuit, it blocks the load output transistor and disconnects the current flow in the faulty circuit. After remedy of the failure, the load output of the ESX10-T is re-activated by actuating the ON/OFF switch on the device.

US patent number: US 6,490,141 B2

US patent number: US 8,237,311 B2

Features and Benefits

- Selective load protection, electronic trip curve
- Protection of modular control components (DC24V side, frequency converter, drive control etc.)
- Active current limitation when switching on capacitive loads up to 20,000 µF and in case of overload/short circuit
- Fixed current rating 16 A
- Reliable overload disconnection typically from $1.15 \times I_N$ even with long load lines or small cable cross sections
- Low voltage monitoring
- Manual ON/OFF switch (S1)
- Clear status indication by means of LED and signal contact F
- Integral fail-safe element, adjusted to current rating
- Width per channel only 12.5 mm
- For direct symmetrical rail
- Ease of wiring via entry line busbars LINE+ and 0 V, signal busbars and jumpers.



<http://www.e-t-a.de/qr1008/>



ESX10-TB-101-DC 24 V-16 A

Technical data ($T_{amb} = 25\text{ °C}$, $U_B = \text{DC } 24\text{ V}$)

Operating data

Operating voltage U_B	DC 24 V (18...26.4 V)
Current ratings I_N	fixed rating: 16 A
Standby current I_0	in ON condition: typically 18 mA
Visual status indication	<ul style="list-style-type: none"> • multicoloured LED: <ul style="list-style-type: none"> Green: <ul style="list-style-type: none"> - device is ON (S1 = ON) load circuit/Power-MOSFET fed through Orange: <ul style="list-style-type: none"> - overload up to electronic disconnection Red: <ul style="list-style-type: none"> - after disconnection due to overload or short circuit - short circuit up to electronic disconnection - at undervoltage OFF: <ul style="list-style-type: none"> - switched off manually (S1 = OFF) or device is dead-voltage • potential-free signal contacts F (Option) • ON/OFF position of the switch S1

Load circuit

Load output	power MOSFET switching output (plus switching)
Overload and short circuit disconnection	typically $1.15 \times I_N$ with active current limitation
Trip times	see time/current characteristic typically 100 ms at short circuit typically 220 ms at overload (see table 1)
Temperature disconnection	internal temperature monitoring with electronic disconnection
operating voltage monitoring with regard to low voltage	OFF at typically $U_B < 14\text{ V}$ ON at typically $U_B > 17\text{ V}$ with automatic ON and OFF switching
Switch-on delay t_{Start}	typically 2 ms after each ON operation, after reset and after applying of U_B
Disconnection of load circuit	electronic disconnection without physical isolation
Leakage current in load circuit in the OFF condition	typically $< 1\text{ mA}$
Capacitive loads	up to 20,000 µF
Free-wheeling diode	external free-wheeling diode recommended for inductive load
Parallel connection of several load outputs	not allowed

Technical data ($T_{amb} = 25\text{ °C}$, $U_B = DC\ 24\ V$)

Signal output F	ESX10-TB-101
Electrical data	potential-free auxiliary change-over contact max. DC 30 V / 0.5 A min. 10 V / 10 mA
ESX10-TB-101	single signal, make contact contact open, terminal 13-14
Signal delay of signal output (F)	
in standard condition	typically 20 ms
in fault condition	typically 220 ms
Error	signal output is in fault condition <ul style="list-style-type: none"> • when the device is switched off <ul style="list-style-type: none"> - in the event of overcurrent trip - through lacking operating voltage U_B - at undervoltage - by means of the ON/OFF switch

General Characteristics

Fail-safe-element	integral fail-safe element compliant with the current rating (see table 1)
-------------------	--

Terminals	LINE+ / LOAD+ / 0V
screw terminals	M4
max. cable cross section	
rigid and flexible	0.5 – 16 mm ²
flexible with wire end ferrule w/wo plastic sleeve	0.5 – 10 mm ²
multi-lead connection (2 identical cables)	
rigid / flexible	0.5 – 4 mm ²
flexible with wire end ferrule without plastic sleeve	0.5 – 2.5 mm ²
flexible with TWIN wire end ferrule	
with plastic sleeve	0.5 – 6 mm ²
wire stripping length	10 mm
tightening torque (EN 60934)	1.5 – 1.8 Nm

Terminals	aux. contacts
screw terminals	M3
max. cable cross section	
flexible with wire end ferrule w/wo plastic sleeve	0.25 – 2.5 mm ²
wire stripping length	8 mm
tightening torque (EN 60934)	0.5 – 0.6 Nm

Technical data ($T_{amb} = 25\text{ °C}$, $U_B = DC\ 24\ V$)

Housing material	moulded
Mounting	symmetrical rail to EN 60715-35x7.5
Ambient temperature	-25...+60 °C ¹⁾ (without condensation, cf. EN 60204-1) ¹⁾ Ambient temperature range can be different for the individual approvals.
Storage temperature	-40...+70 °C
Humidity	96 hrs / 95 % RH 40 °C to IEC 60068-2-78-Test Cab climate class 3K3 to EN 60721
Vibration	3 g test to IEC 60068-2-6, test Fc
Protection class	housing IP20 EN 60529 terminals IP20 EN 60529
EMC requirements (EMC directive, CE logo)	emission: EN 61000-6-3 susceptibility: EN 61000-6-2
Insulation co-ordination (IEC 60934)	0.5 kV / pollution degree 2 reinforced insulation in operating area
Dielectric strength	max. DC 30 V (load circuit)
Insulation resistance (OFF condition)	n/a, only electronic disconnection
Approvals (ESX10-TA / -TB)	CE logo to 2014/30/EU UL 2367, File # E306740 Solid State Overcurrent Protectors UL 508, File # E322549 "Industrial Control Equipment"
Dimensions (w x h x d)	12.5 x 80 x 83 mm (tolerances to DIN ISO 286 part 1 IT13)
Mass	approx. 65 g

4

Table 1: Voltage drop, current limitation, trip times, fail-safe element, max. load current

Current rating I_N	typical voltage drop U_{ON} at I_N	active current limitation typically	trip time I_{SC} typically ¹⁾	trip time I_{OL} typically ²⁾	Fail-safe element	Max. load current at 100 % ON duty		
						$T_{AMB} = 40\text{ °C}$	$T_{AMB} = 50\text{ °C}$	$T_{AMB} = 60\text{ °C}$
16 A	150 mV	$1.15 \times I_N$	100 ms	220 ms	20A	16 A	14 A	12 A

Note: When mounted side-by-side without convection, the devices should carry max. 80 % of their rated load continuously (100 % ON duty).

1) short circuit
2) overload

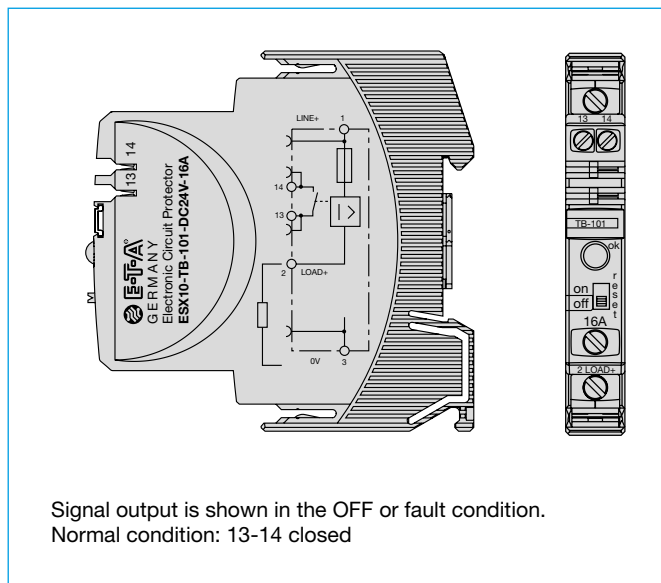
Order numbering code

Type No.	ESX10 Electronic Circuit Protector, with current limitation
Mounting	TB rail mounting, with signal contact and hole for signal busbars
Version	1 without physical isolation
Signal input	0 without signal input
Signal output:	1 signal make contact
Operating voltage	DC 24 V voltage rating DC 24 V
Current rating	16 A

ESX10 - TB - 1 0 1 - DC 24 V - 16 A ordering example

Description of signal output (ESX10-T) see schematic diagram.

Schematic diagram ESX10-TB-101-DC24V-16 A



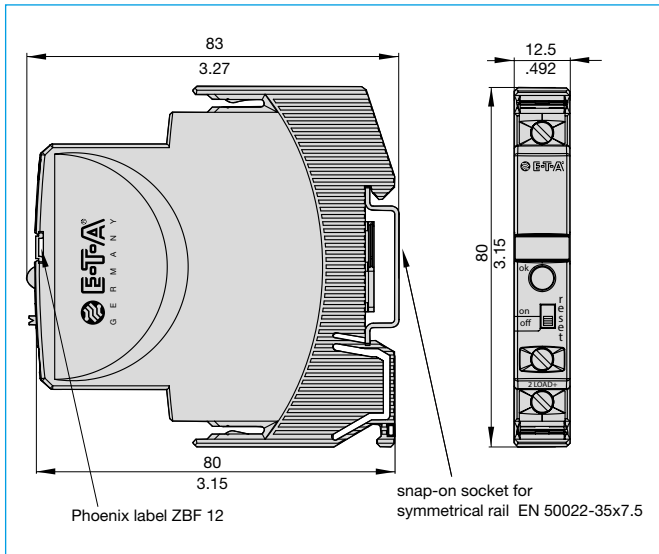
Please note

- The user has to ensure that the cable cross section of the load circuit in question complies with the current rating of the ESX10-T used.
- In addition special precautions have to be taken in the system or machinery to exclude automatic re-start (e.g. by using a safety PLC) (cf. Machinery Directive 2006/42/EG und EN 60204-1, Safety of Machinery). In the event of a failure (short circuit/overload) the load circuit will be disconnected electronically by the ESX10-T.

Approvals

ESX10-TB-...-16 A			
Authority	Standard	Voltage ratings	Current ratings
UL	UL 2367	DC 24 V	0.5 A...16 A
UL	UL 508 C22.2 No 14	DC 24 V	0.5 A...16 A

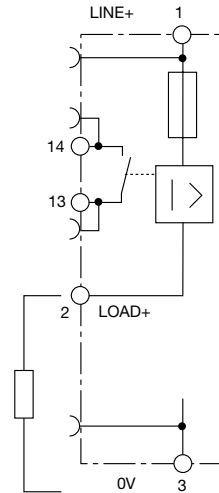
Dimensions ESX10-TB



ESX10-TB signal output (connection diagram)

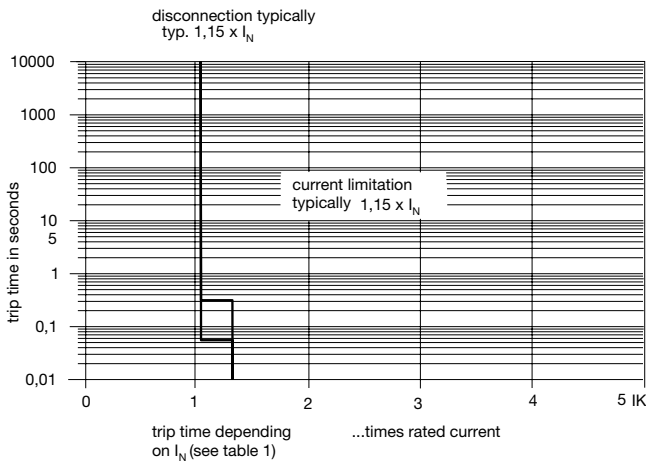
ESX10-T signal inputs / outputs (schematic diagrams)
Auxiliary contacts are shown in OFF or error condition

ESX10-TB-101
without signal input
with signal output F
(single signal, N/O)



operating condition: 13-14 closed
fault condition: 13-14 open

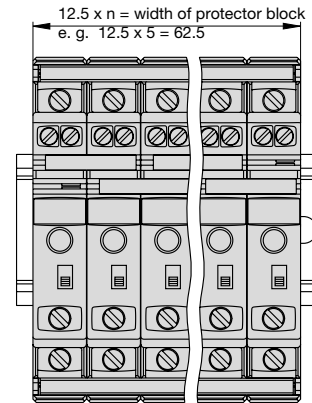
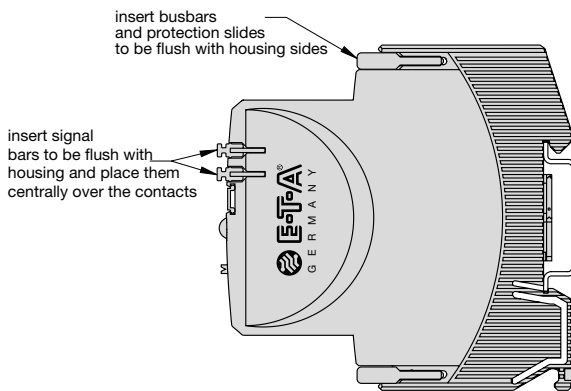
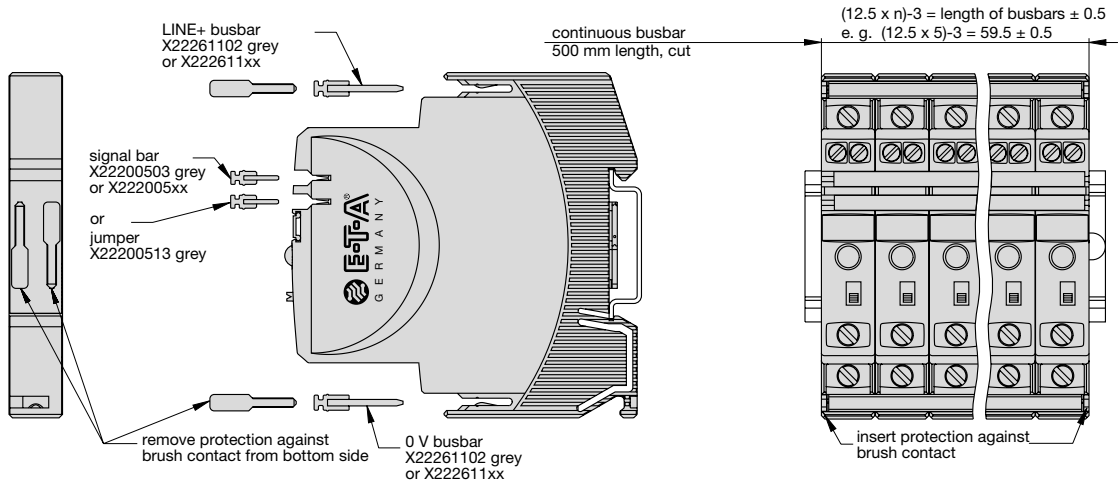
Typical time/current characteristic ($T_{amb} = 25\text{ °C}$, $U_B = \text{DC } 24\text{ V}$)



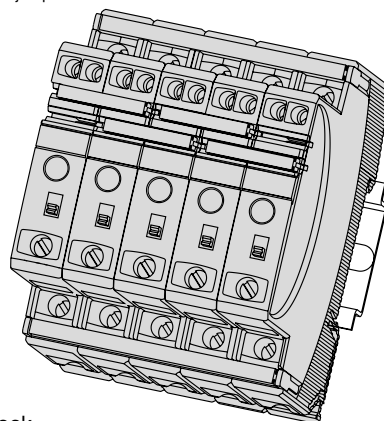
- Electronic disconnection and/or current limitation begins at typically $1.15 \times I_N$. **This means: under all overload conditions (independent of power supply and load circuit resistance) typically $1.15 \times I_N$ is applied.**
- Without the current limitation getting into effect at typically $1.15 \times I_N$ there would be a much higher overcurrent in the event of an overload or short circuit.

Mounting examples for ESX10-TB-101

The ESX10-T features an integral power distribution system.



5 ESX10-TB
with busbars
and jumpers



Mounting procedure:

Before wiring insert busbars into protector block.
Max. 10 insertion/removal cycles for busbars.

Recommendation:

After 10 units the busbars and signal busbars should be interrupted and receive a new entry live

Table of lengths for busbars

(X 222 611 02 / X 222 005 03 or cut off, see accessories)

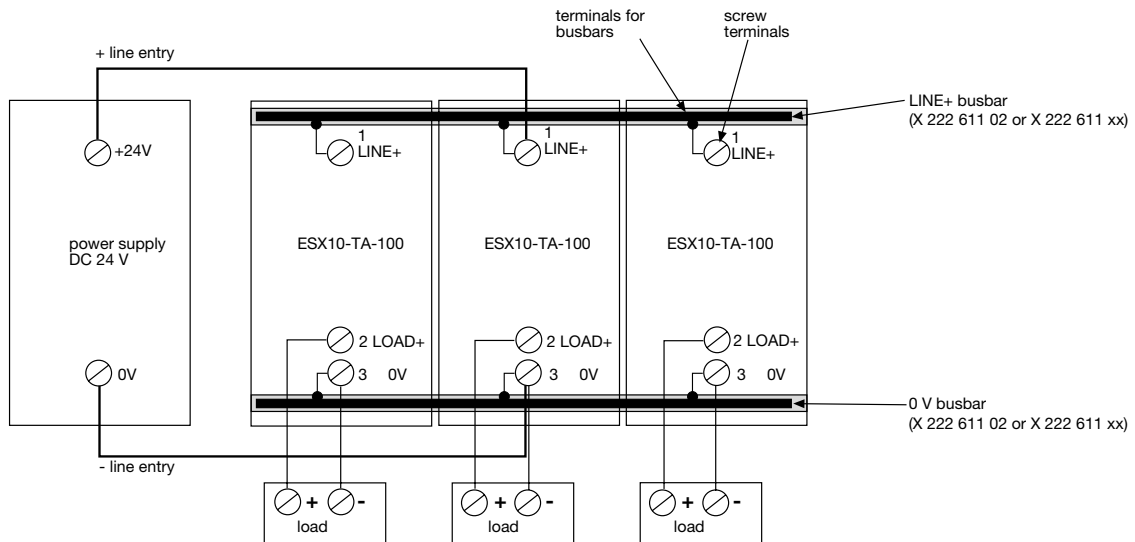
No. of units	2	3	4	5	6	7	8	9	10
Length of busbar [mm] ± 0.5 mm	22	34.5	47	59.5	72	84.5	97	109.5	122

Wiring diagrams, application examples ESX10-T

Connection diagrams and application examples ESX10-T...

Signal contacts are shown in OFF or fault condition.

ESX10-TA-100



4

Wiring diagrams, application examples ESX10-T

Applications examples: line entry DC 24 V with protection of signal circuit and direct connection of loads

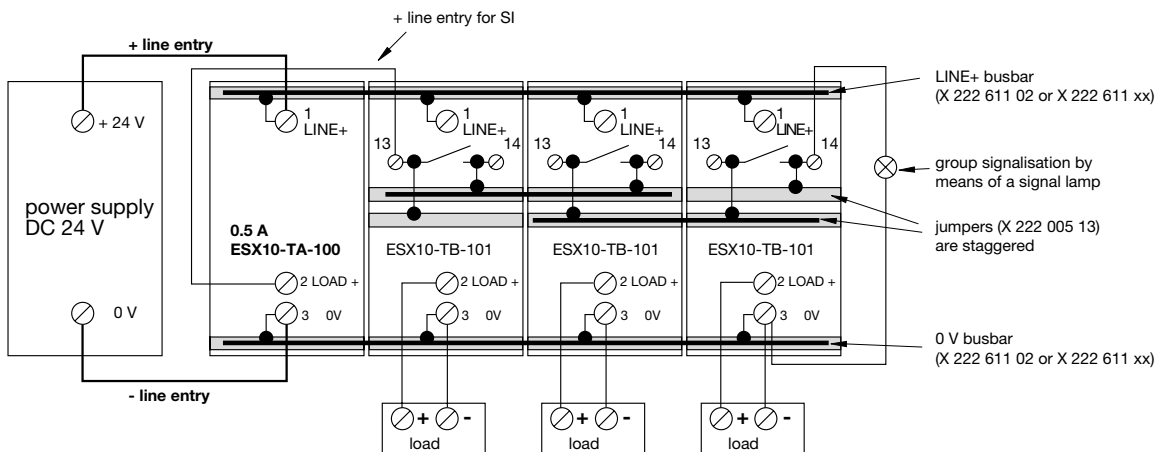
Auxiliary contacts are shown on the OFF of fault condition

ESX10-TB-101

Group signalisation (series connection)

Type ESX10-TA-100-DC24V-0.5A can be used as a supply module including protection of auxiliary circuit

Optional: passive supply module AD-TX-EM01 (without protection)



Description

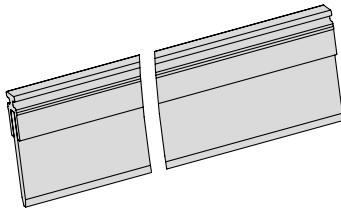
The ESX10-T has an integral power distribution system. The following wirings can be carried out with different plug-in type busbars:

- LINE +(DC 24 V)
- 0 V
- **Important:** The electronic devices ESX10-T require a 0 V connection.
- Auxiliary contacts

Accessories

busbars for LINE and 0 V

ampacity with one input I_{max} 50 A
(Recommendation: central supply)
ampacity with two inputs I_{max} 63 A
grey insulation, length: 500 mm
X 222 611 02

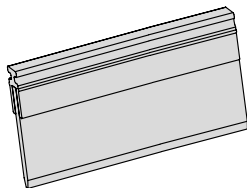


busbars for LINE and 0 V

grey insulation
max. 10 plug-in cycles allowed

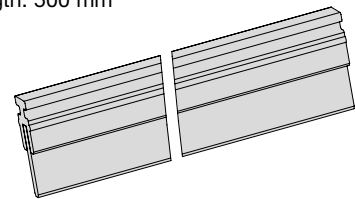
X 222 611 22 (double block ESX10-T), length: 22 mm
X 222 611 34 (block of 3 ESX10-Ts), length: 34.5 mm
X 222 611 47 (block of 4 ESX10-Ts), length: 47 mm
X 222 611 59 (block of 5 ESX10-Ts), length: 59.5 mm
Packaging unit: 10 pcs

X 222 611 72 (block of 6 ESX10-Ts), length: 72 mm
X 222 611 97 (block of 8 ESX10-Ts), length: 97 mm
X 222 611 12 (block of 10 ESX10-Ts), length: 122 mm
Packaging unit: 4 pcs



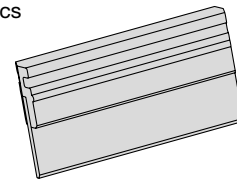
Signal busbars for aux. contacts and reset inputs

suitable for signal busbars ESX10-TB-...
ampacity with one input I_{max} 1 A
with aux. contacts connected in series I_{max} 0.5 A
grey insulation, length: 500 mm
X 222 005 03



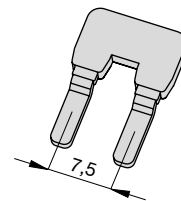
Busbars for auxiliary contacts

suitable for signal busbars ESX10-TB-...
grey insulation, length: 21 mm
X 222 005 13
Packaging unit: 10 pcs



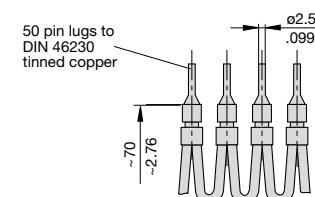
Insulated wire bridge (for aux. contact)

optional as jumper for ESX10-TB-101...
for group signalling
(series connection of make contacts 13 - 14)
X 223 108 01
Packaging unit: 10 pcs



Connector bus link -K10

suitable for auxiliary contacts (series connection)
X 210 589 02 (1.5 mm², brown),



Accessories

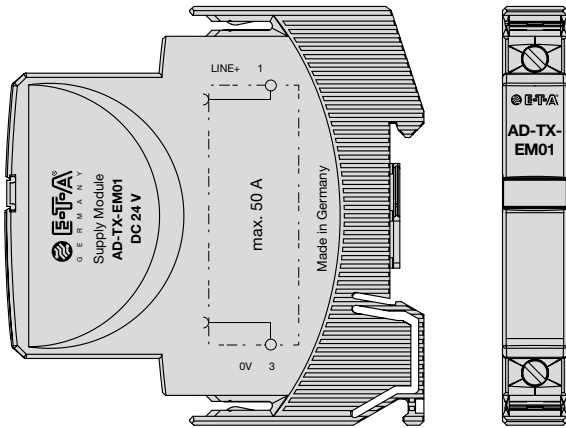
Passive supply module for LINE+ and 0 V (without protection)

Ampacity

Max. cable cross section (see ESX10-T)

I_{\max} 50 A

AD-TX-EM01



4

All dimensions without tolerances are for reference only. In the interest of improved design, performance and cost effectiveness, the right to make changes in these specifications without notice is reserved. Product markings may not be exactly as the ordering codes. Errors and omissions excepted.