



3120-N CIRCUIT BREAKER WITH PUSH-IN TERMINALS

Reduce wiring costs –
enhance contact reliability

3120 CIRCUIT BREAKER WITH PUSH-IN TERMINALS

Reduce wiring costs –
enhance contact reliability

The 3120 circuit breaker/switch combination is an ON/OFF switch with integral overcurrent protection.

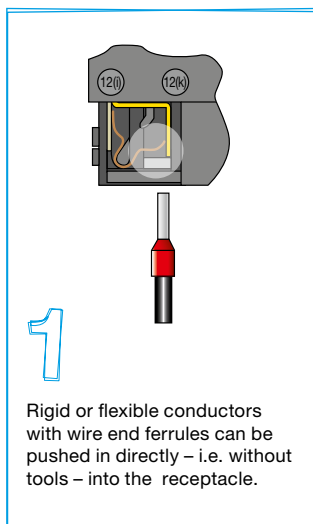
In the event of an overcurrent, the integral trip element (bimetal) has the breaker switch into the OFF position. The protected load is physically isolated from the supply voltage. After a short

cool-down period the circuit breaker can be reset. Replacement as with a fuse is not necessary. E-T-A is the first manufacturer in the world to launch a circuit breaker/switch combination with push-in connection technology - the 3120-PT. This design ensures quick, easy, secure and reliable connection of conductors.

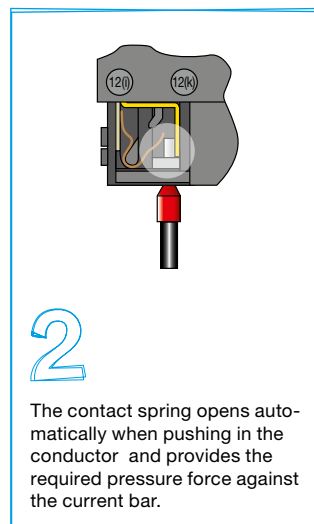


YOUR BENEFITS

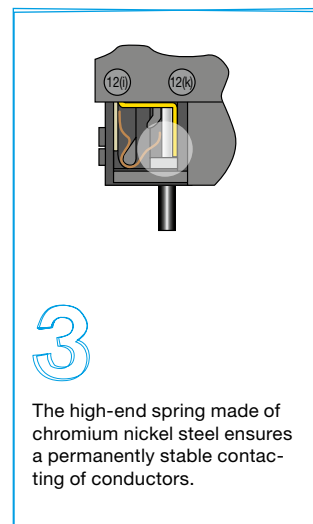
- **Cost reduction** through fast and **easy wiring**
- **Less service and maintenance time** through permanently stable cable connections
- **Terminals are protected** against finger contact



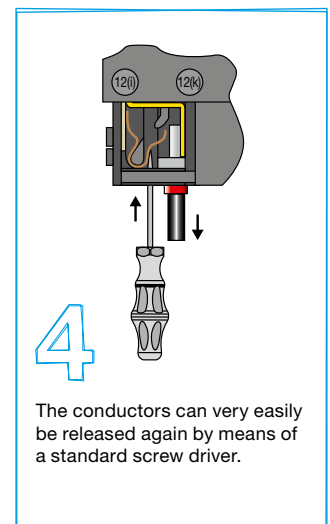
Rigid or flexible conductors with wire end ferrules can be pushed in directly – i.e. without tools – into the receptacle.



The contact spring opens automatically when pushing in the conductor and provides the required pressure force against the current bar.



The high-end spring made of chromium nickel steel ensures a permanently stable contacting of conductors.



The conductors can very easily be released again by means of a standard screw driver.

REDUCE YOUR WIRING COSTS!

There are no operating tools required. The conductor can very easily be pushed in because of the special spring contour. It is not necessary to observe a certain push-in orientation as with blade terminals. Easy handling does not only reduce the wiring times, but the ergonomic design also prevents signs of fatigue at work.

ENHANCE THE QUALITY OF ELECTRICAL CONNECTIONS!

Due to the consistently high spring forces within the terminal, the push-in connection technology ensures secure contact of the conductor over a long period of time. The connection will withstand harsh shock and vibration conditions due to the high surface pressure of the contact spring made of a special spring steel.

INCREASE THE SAFETY OF YOUR PRODUCT!

As long as the cables are stripped correctly and/or the recommended wire end ferrules are used, the new push-in terminal of type 3120 offers a 100% protection against finger contact. Hazardous electrocution is completely prevented.

E-T-A Elektrotechnische Apparate GmbH

Industriestraße 2-8

90518 Altdorf

Tel. 09187 10-0

Fax 09187 10-397

E-Mail: info@e-t-a.de

www.e-t-a.de