

Description

The Combi Safety Protection E-1078-911 allows the simultaneous connection of a washing machine and dryer (for example) without overloading the circuit. The dryer is disconnected during the heating cycle of the washing machine and automatically reconnected when the current consumption of the washing machine drops.

Other equipment combinations such as a dishwasher and a hot-water heater are also made possible, provided that one of the loads connected has an operating mode with a current consumption of less than 2 A (= reconnection threshold).

Typical applications

- Household
- Commercial premises (e. g. medical practices)
- Recreational vehicles

For the first time it is possible to simultaneously connect to the same socket two large appliances such as a washing machine and a hot-water heater and to leave them unattended, without the danger and inconvenience of overloading the supply.

There is no need for a second line with socket and circuit breaker.

Features

- Reliable current monitoring when two large appliances are operated simultaneously.

Ordering information

Type No.

E-1078-911 Combi Safety Protection

E-1078-911



E-1078-911..

Technical data

Voltage rating	AC 230 V ±10 %, 50 Hz
Supply current	16 A
Load capacity	3,700 VA
Socket outlets with earthing contact to DIN 49440	
Cable	H05W-F3G 1.0 mm ² , approx. 1.4 m long with moulded earthing-pin plug
Upper response threshold	typically 15.5 ± 1 A
Lower response threshold	typically 2.0 A ± 1 A
Hysteresis	typically 13.5 A
Temperature range	0...+45 °C
Environmental duty	suitable for dry, clean conditions
Socket outlet material	impact-resistant Polypropylene
Housing dimensions	255 mm x 60 mm x 40 mm (LxWxH), with provisions for screw fixings
Mass	approx. 480 g

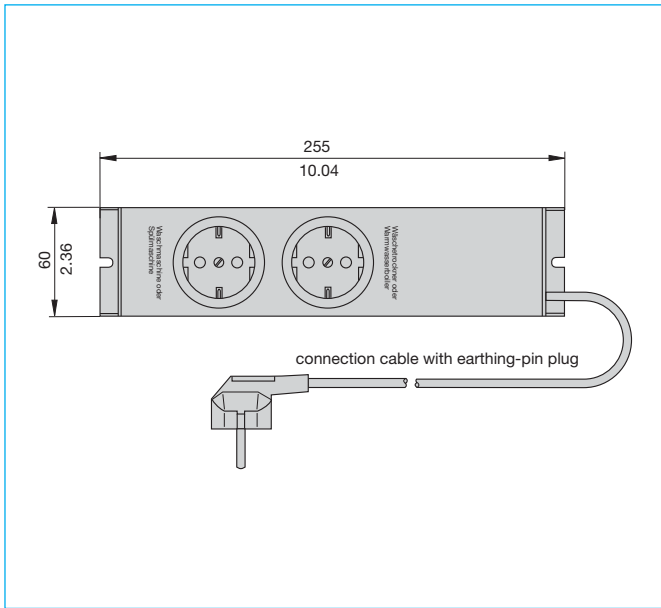
Caution: Connect appliances with a program memory that is not protected from supply failure, to the “washing machine” outlet!

Approvals

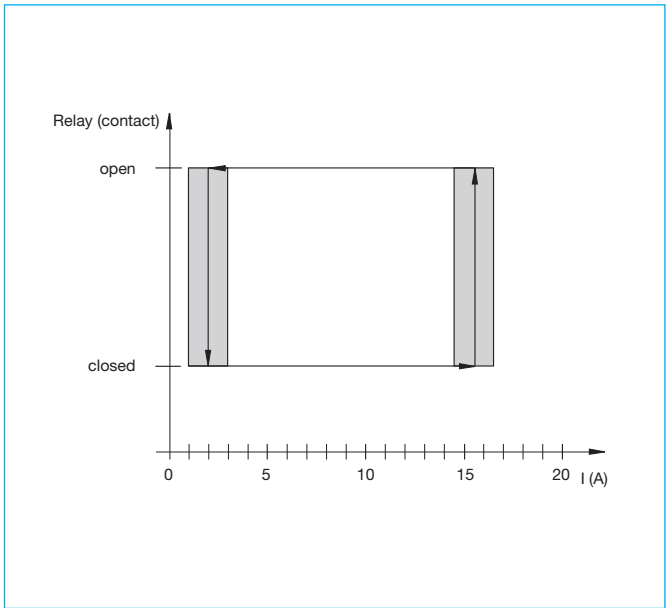


CE mark to demonstrate compliance with applicable directives.

Dimensions



Switching curve



This is a metric design and millimeter dimensions take precedence ($\frac{\text{mm}}{\text{inch}}$)

All dimensions without tolerances are for reference only. In the interest of improved design, performance and cost effectiveness the right to make changes in these specifications without notice is reserved. Product markings may not be exactly as the ordering codes. Errors and omissions excepted.