

Description

Power-D-Box 19" power distribution system fitted with E-T-A sockets 63-P10-Si to accommodate thermal-magnetic circuit breakers with each terminal block accepting up to 6 circuit breakers. Other rack types upon request.

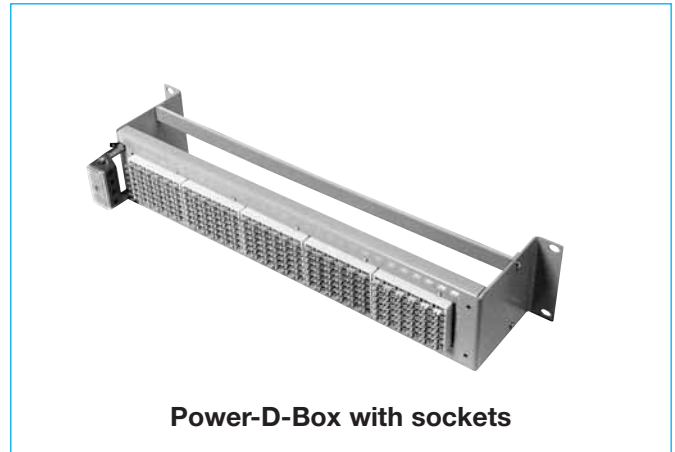
Typical applications

Circuit breakers that may be accommodated on Power-D-Box 19" racks fitted with E-T-A sockets 63-P10-Si:

type 2210	see section 2 - thermal-magnetic overcurrent CBs
type 3600	see section 2 - thermal-magnetic overcurrent CBs
type 3900	see section 2 - thermal-magnetic overcurrent CBs
type E-1048-60.	see section 6 - SSRPCs

Ordering information

X 211 530 01	for 5 E-T-A terminal blocks 63-P10-Si
--------------	---------------------------------------



Power-D-Box with sockets

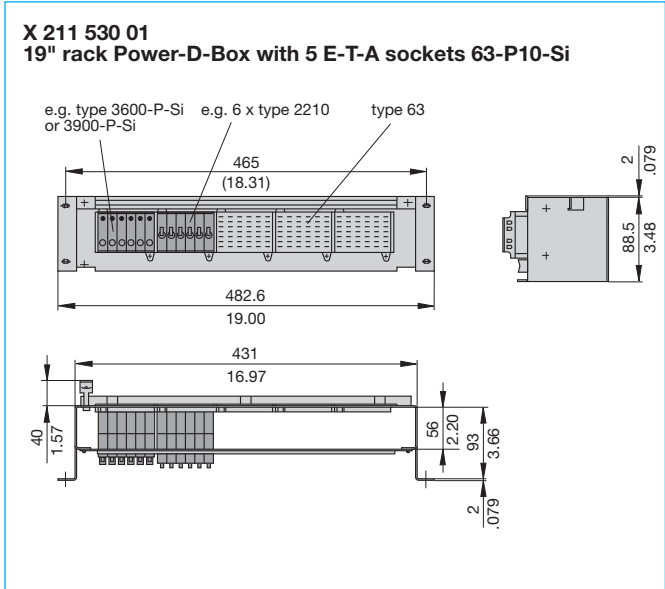
Technical data

X 211 530 01	2 U
Material:	The Power-D-Box 19" power distribution system and the mounting flanges are made of 2 mm thick steel sheet.
Colour:	RAL 7032, grey

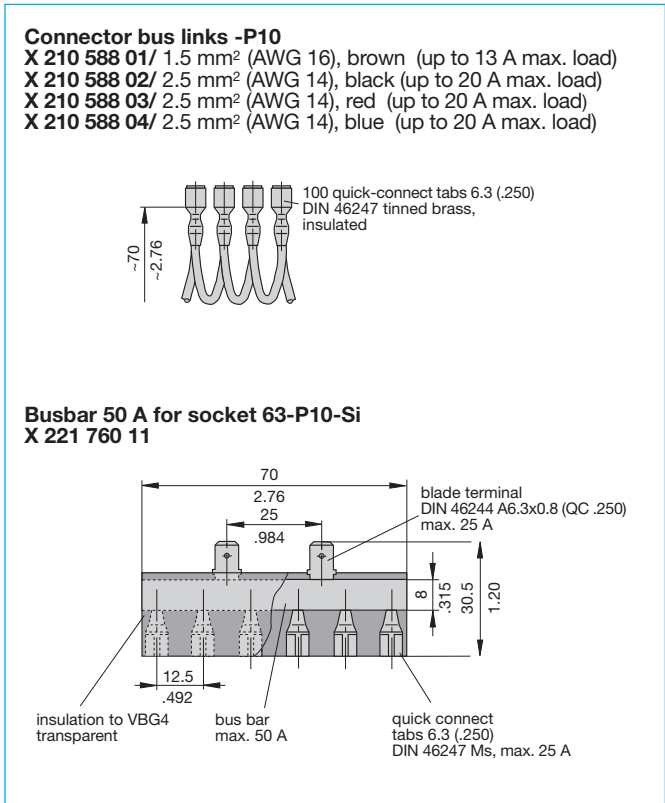
Connection

By means of one or two 4-pole female multi-pin connectors for max. 4 mm² cables, which may be connected either on the right or left side of the rack.

Dimensions



Accessories



7

This is a metric design and millimeter dimensions take precedence ($\frac{\text{mm}}{\text{inch}}$)

All dimensions without tolerances are for reference only. In the interest of improved design, performance and cost effectiveness the right to make changes in these specifications without notice is reserved. Product markings may not be exactly as the ordering codes. Errors and omissions excepted.