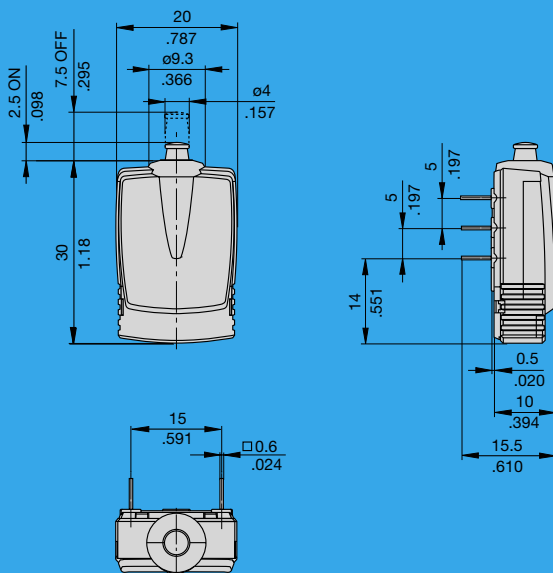


RE-DESIGNED 808 magnetic circuit breaker

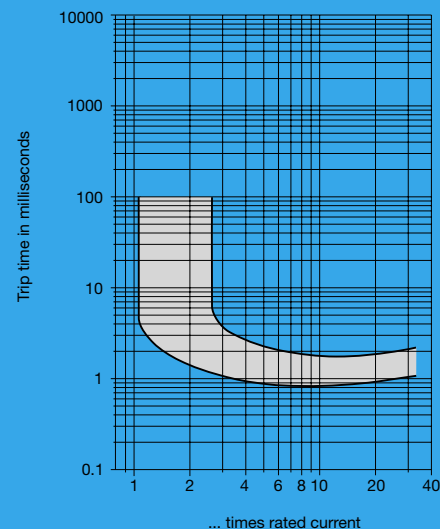
Attractive modern styled housing

The 808 is designed to be instantly recognized as a product of E-T-A.



IDEALLY SUITED FOR:

- Telecommunications systems
- Process control
- Semiconductor protection
- Safety and control systems
- Medical equipment
- Test equipment
- Same high speed magnetic operating mechanism and push/pull on/off manual actuation as former 808.
- Fitted with electrically separate sensing circuit and two switching circuits, one normally open and one normally closed.
- Current customers ordering the 808 will begin receiving new style Fall of 2002. Samples are available for new customers.
- UL approved from 0.01 to 8 amps at 60 V DC / 120 V AC



For more information and application assistance please contact:

Ken Cybart, Product Marketing Specialist

847-827-7600 x130 or kcybart@etacbe.com

1551 Bishop Court Mt. Prospect, IL 60056