

ADDITION TO 1658 SERIES

1658-F02

Press to reset



LOW COST - HIGH QUALITY

Available in ratings from 5 to 30 amps
Up to 250 V AC and 28 V DC

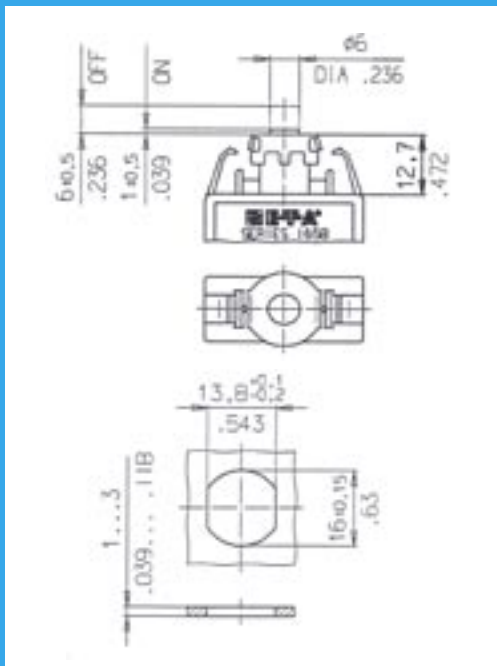
APPLICATIONS INCLUDE:

- Overcurrent protection in consumer products
- Surge protectors / power strips
- Battery chargers
- Marine craft cockpits
- Motors
- Other high volume equipment

Meets UL 1077 requirements for a 2 horsepower rating permitting its use in UL 1363 compliant surge protectors.

ORDERING CODE

-F02 for snap-in mounting with press to reset marking



This is a metric design and millimeter dimensions take precedence (mm/inch)

For more information and application assistance please contact:

Markus Tegethoff, Technical Supervisor

847-827-7600 x132 or markus.tegethoff@e-t-a.com

1551 Bishop Court Mt. Prospect, IL 60056