

TECH BRIEF

ADDITION TO 1658 SERIES 1658-F01 (Snap-in)



LOW COST - HIGH QUALITY

Available in ratings from 5 to 30 amps
Up to 250 V AC and 28 V DC

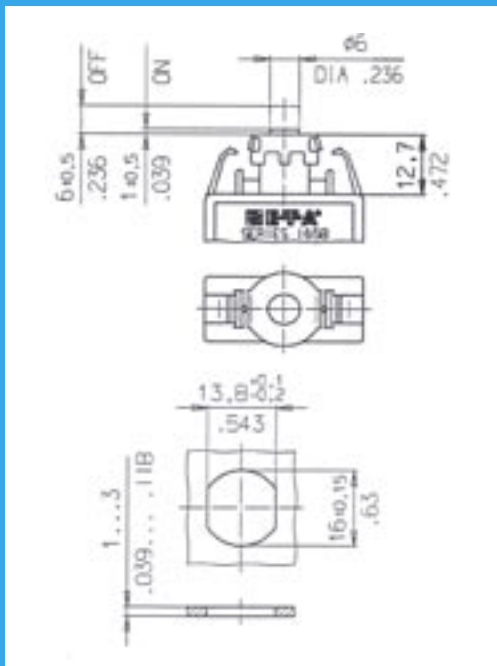
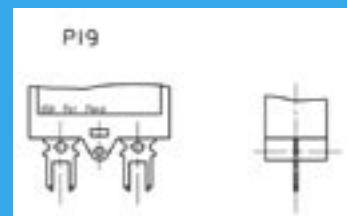
APPLICATIONS INCLUDE:

- Overcurrent protection in consumer products
- Surge protectors / power strips
- Battery chargers
- Marine craft cockpits
- Motors
- Other high volume equipment

Meets UL 1077 requirements for a 2 horsepower rating permitting its use in UL 1363 compliant surge protectors.

NEW STANDARD TERMINAL CONFIGURATION -P19

PC-Board mountable



This is a metric design and millimeter dimensions take precedence (mm/inch)

ADDITIONAL PUSH BUTTON COLORS AVAILABLE FOR 1658-G AND -F

Add -D01 for black or -D04 for red to the part number between terminal configuration and current rating.
(i.e. 1658-G21-02-P10-D04-10A)