

TECH BRIEF



DELTA RATING

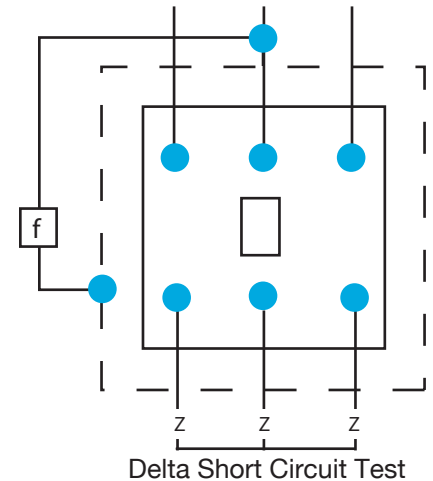
8345 RECEIVES APPROVAL FOR DELTA SOURCE AC 480V

DELTA RATING APPROVAL

- Meets the delta rating approval for AC 480V
- 8345 device passed testing at AC 480V +10%
- Circuit test according to UL1077 Diagram E (short circuit operations)


TYPICAL PRODUCT APPLICATIONS

- Transportation
- Commercial and industrial protection
- Power distribution
- Instrumentation and process control



Hydraulic-Magnetic
Circuit Breaker Type 8345

PRODUCT FEATURES:

- Wide range of characteristic curves for current ratings 0.05A through 125A
- Single and multipole
- Suitable for worldwide usage with  and VDE approvals
- Max. current rating 125A, narrow profile (19mm)
- Optional plug-in design with hot-swap function (with 6 mm round connectors) available
- Various actuator and housing cap colors
- Auxiliary contact model available

TECHNICAL INFORMATION

Rated Voltage	DC 80V
	AC 120V, AC240V, AC120/240V
	AC 277/480V, AC 480V
Current Rating Range	0.1 ... 125A
Number of Poles	Single, two, three or four poles
Ambient temperature	-40 ... +85°C (-40 ... +185° F)
Interrupting capacity	5000A / 10,000A
EN 60934, PC1	
UL 489, UL 1077	
Typical life	10,000 cycles at rated current

E-T-A Circuit Breakers Ltd.

100 Leek Crescent, Unit 11
Richmond Hill • Ontario L4B 3E6
Phone: (905) 764-9510 • Fax: (905) 764-8003
E-Mail: caninfo@e-t-a.ca

E-T-A Circuit Breakers

1551 Bishop Court
Mt. Prospect, IL 60056-6060
Phone: (847) 827-7600 • Fax: (847) 827-7655
E-Mail: usinfo@e-t-a.com