

## Description

Miniaturised double pole thermal circuit breaker with push-to-reset tease-free, trip-free, snap action mechanism (R-type TO CBE to EN 60934). Threadneck panel mounting. Suitable for line and neutral switching - the thermal actuator operating on one pole simultaneously opens both poles under overload conditions. Approved to CBE standard EN 60934 (IEC 60934).

## Typical applications

Motors, transformers, solenoids, hand-held machines and appliances. Especially suited to AC duties where the correct orientation of line/neutral is not known/cannot be guaranteed.

## Ordering information

### Type No.

1140	double pole threadneck panel mounting
<b>Mounting</b>	
G1	threadneck panel mounting 3/8-27UNS, with hex nut and knurled nut*
<b>Number of poles</b>	
5	double pole, 1-pole protected
<b>Actuator style</b>	
1	black push button
<b>Terminal design</b>	
P7	blade terminals DIN 46244-C (QC 2x.110)
<b>Characteristic curve</b>	
M1	medium delay
<b>Current ratings</b>	
0,05...16 A	
1140 - G1 5 1 - P7 M1 - 16 A ordering example	

\*mounting hardware bulk shipped

## Preferred types

**NEW**

Preferred types	Standard current ratings (A)											
	0.5	1	1.5	2	3	4	5	6	8	10	12	15
1140-G151-P7M1	x	x	x	x	x	x	x	x	x	x	x	x

## Standard current ratings and typical internal resistance values

Current rating (A)	Internal resistance (Ω)	Current rating (A)	Internal resistance (Ω)
0.05	345	1.8	0.3
0.06	240	2	0.3
0.08	142	2.5	0.2
0.1	88	3	0.1
0.2	24	3.5	0.08
0.3	9.9	4	0.07
0.4	5.9	5	0.05
0.5	3.7	6	0.04
0.6	2.2	7	< 0.02
0.7	1.9	8	< 0.02
0.8	1.4	10	< 0.02
1	0.9	12	< 0.02
1.2	0.6	15	< 0.02
1.5	0.5	16	< 0.02



1140-G15

## Technical data

For further details please see chapter: Technical Information

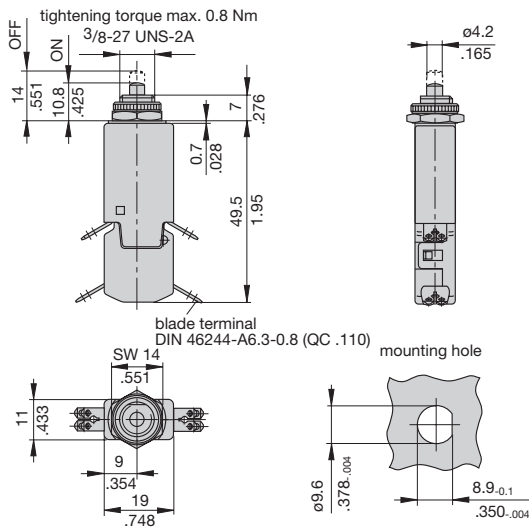
Voltage rating	AC 240 V; DC 48 V (UL: AC 250 V; DC 50 V)	
Current ratings	0.05...16 A	
Typical life	AC + DC	
	0.05...3 A	300 operations at 2 x I <sub>N</sub> , inductive 3,000 operations at 2 x I <sub>N</sub> , resistive
	3.5...8 A	200 operations at 2 x I <sub>N</sub> , inductive 1,000 operations at 2 x I <sub>N</sub> , resistive
	9...16 A	100 operations at 2 x I <sub>N</sub> , inductive
Ambient temperature	-20...+60 °C (-4...+140 °F) T 60	
Insulation co-ordination (IEC 60664 and 60664 A)	rated impulse withstand voltage 2.5 kV	pollution degree 2 reinforced insulation in operating area
Dielectric strength (IEC 60664 and 60664 A)	test voltage operating area pole/pole	AC 3,000 V AC 1,500 V
Insulation resistance	> 100 MΩ (DC 500 V)	
Interrupting capacity I <sub>cn</sub>	0.05...3 A 3.5...8 A 9...16 A	6 x I <sub>N</sub> 8 x I <sub>N</sub> 120 A
Interrupting capacity (UL 1077)	I <sub>N</sub> 0.05...16 A 0.05...16 A	U <sub>N</sub> DC 50 V AC 250 V
Degree of protection (IEC 60529/DIN 40 050)	operating area IP40 terminal area IP00	
Vibration	10 g (57-500 Hz) ± 0.76 mm (10-57 Hz), to IEC 60068-2-6, test Fc, 10 frequency cycles/axis	
Shock	25 g (11 ms) to IEC 60068-2-27, test Ea	
Corrosion	96 hours at 5 % salt mist, to IEC 60068-2-11, test Ka	
Humidity	240 hours at 95 % RH to IEC 60068-2-78, test Cab	
Mass	approx. 13 g	

## Approvals

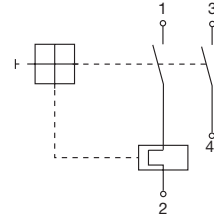
Authority	Voltage ratings	Current ratings
VDE	AC 240 V; DC 48 V	0.05...16 A
CSA, UL	AC 250 V; DC 50 V	0.05...16 A

## Dimensions

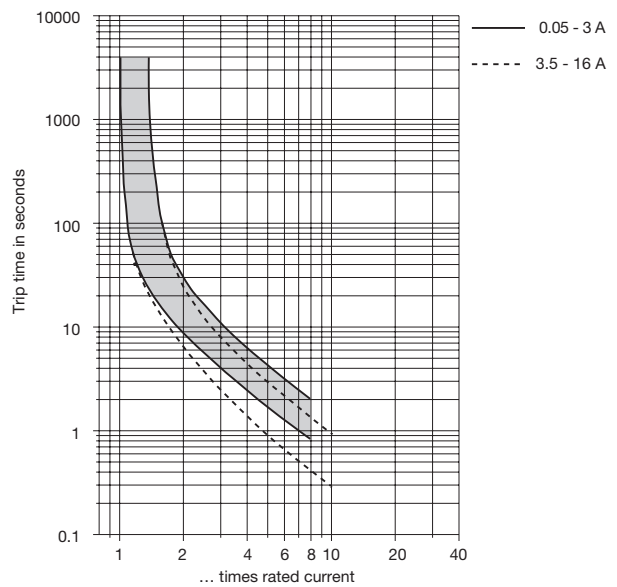
### 1140-G15...



## Internal connection diagram



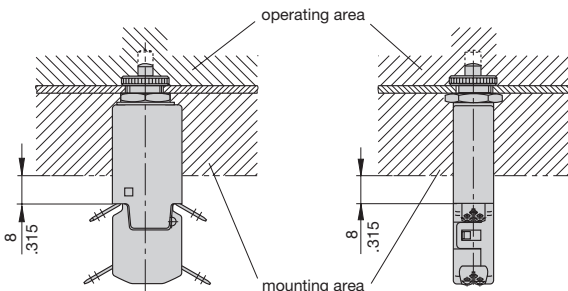
## Typical time/current characteristics at +23 °C/+73.4 °F



The time/current characteristic curve depends on the ambient temperature prevailing. In order to eliminate nuisance tripping, please multiply the circuit breaker current ratings by the derating factor shown below. See also section Technical information.

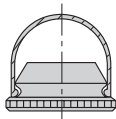
Ambient temperature °F	-4	+14	+32	+73.4	+104	+122	+140
°C	-20	-10	0	+23	+40	+50	+60
Derating factor	0.76	0.84	0.92	1	1.08	1.16	1.24

## Installation drawing



## Accessories

### Water splash cover/knurled nut assembly, transparent X 201 285 01 (IP64)



This is a metric design and millimeter dimensions take precedence ( $\frac{\text{mm}}{\text{inch}}$ )

All dimensions without tolerances are for reference only. In the interest of improved design, performance and cost effectiveness the right to make changes in these specifications without notice is reserved. Product markings may not be exactly as the ordering codes. Errors and omissions excepted.